

Project _____
 Type _____
 Notes _____



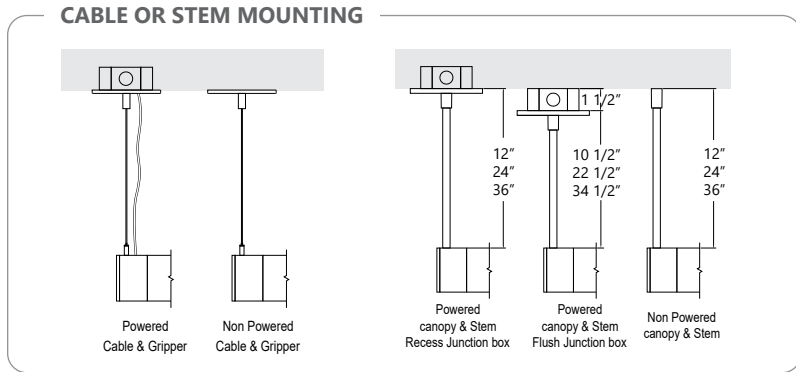
A configuration drawing is required. Please note that unspecified segments will be covered with applicable blank covers

**Factory is available for assistance
 See page 2 for example of how to specify**



INSPIRATION LAYOUTS

Create your own layouts with our hub families below.



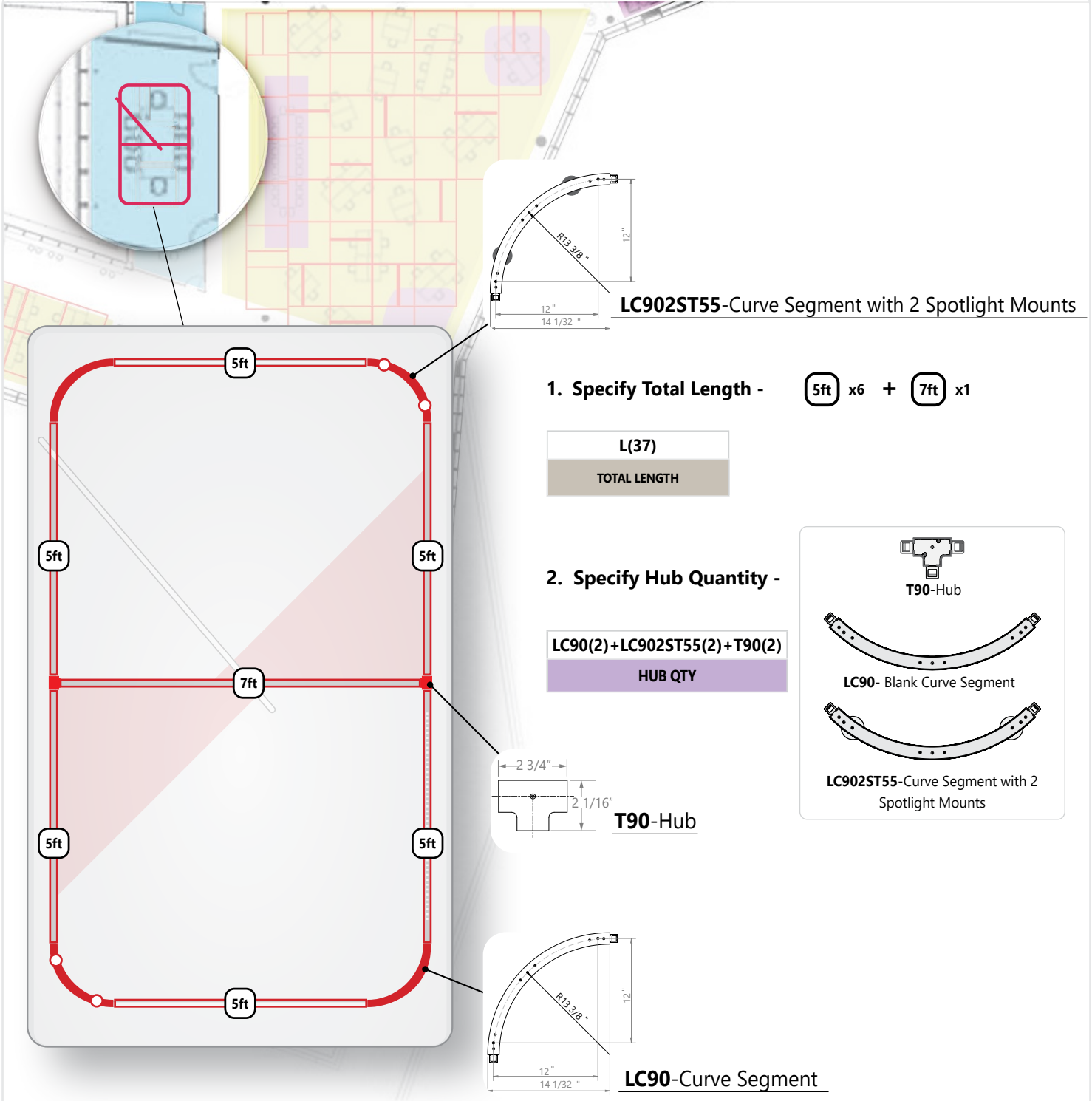
HUBS

Ordering Guide

SFF	PRODUCT ID	TOTAL LENGTH	HUB QUANTITY				FINISH	VOLTAGE
SFF	StencilFlex® Framework Forms and Linear* Pendant System	L total length	L90(#) L Hub (90°) +T90(#) T Hub (90°) +X90(#) X Hub (90°) +Y120(#) Y Hub (120°) +I180(#) Inline Hub (180°) +EC(#) End Cap Hub +TR60(#) Triangle Hub (60°)	+X120(#) X Hub (120°) +H120(#) Hex Hub (120°) +YN60(#) Negative Y Hub (60°/120°) +YP60(#) Positive Y Hub (120°/60°) +LC90(#) L Curve 90° Segment Blank +LC901ST55(#) L Curve 90° Segment with 1 Spotlight Mount* +LC902ST55(#) L Curve 90° Segment with 2 Spotlight Mounts*	BLK black W white AP aluminum paint* C(#) custom**	120 120 V 277 277 V*		
* Linear runs above 8 ft available with Inline (I180) Hubs.		Total sum of all segments in your system framework. Segment lengths from 2' to 8' continuous. Lengths above 8' will require a joiner. See page 3 for all available segment lengths.	* Must have an adjacent segment without an Indirect Lit insert. Please refer to Stella 55 spec sheet to specify spotlights.				* Please note, that Axistrak™ inserts and decoratives are only available in white or black. ** You can match framework finish to Standard Palette Softzone panels. For recommended matching color code, see StencilFlex® SoftZone spec sheet, page 3.	

CONTROLS	CONTROL ZONES	MOUNTING/SUSPENSION	CANOPY	CUSTOM (OPT.)
IMWD Integral Modular Wiring for DALI 2.0 with DALI2 integral driver IMW Integral Modular Wiring for 0-10V with DP - 0-10V dimming (1%) integral driver IMWEP Integral Modular Wiring for Empower wireless controls*	DA DALI individually addressable control* 1 1 control zone ** 2 2 control zones *** # specify qty. of control zones**** +EC(#) emergency circuit*****	CA(#) drywall+cable length (36" std.) CT9(#) TB/TG 9/16+cable length (36" std.) CT15(#) TB/TG15/16+cable length (36" std.) CTS(#) screw slot+cable length (36" std.) SLV(#) drywall+stem length >48" (18" std.) leveling	RC round canopy SC square canopy*	C custom
*Wireless solution. See spec sheet page 6 for supported platforms. See IC control guide for supported platforms.		*Only available with IMWD - DALI-2 controls ** Control UP and DOWN together. Default. *** Control UP and DOWN separately. ****For more than 2 circuit zones ***** Specify quantity. Not available with AxisTrak (SFLDAXT) Insert.	See Mounting kit guide for full specification code . White canopy standard Other canopies are available. Please visit the link above. Specify length.	* Not available with (SLV) Stem mounting Please specify

SPECIFICATION EXAMPLE

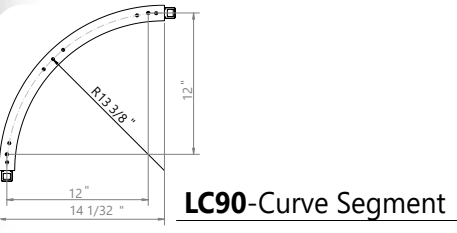
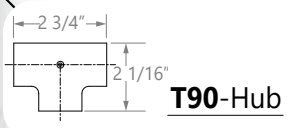
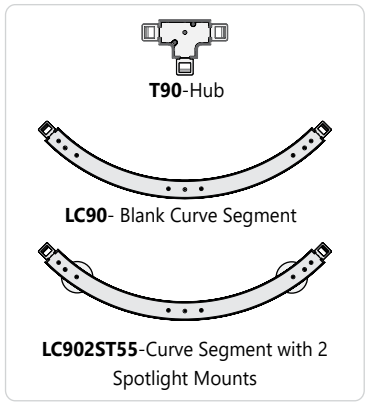


1. Specify Total Length - **5ft** x6 + **7ft** x1

L(37)
TOTAL LENGTH

2. Specify Hub Quantity -

LC90(2)+LC902ST55(2)+T90(2)
HUB QTY

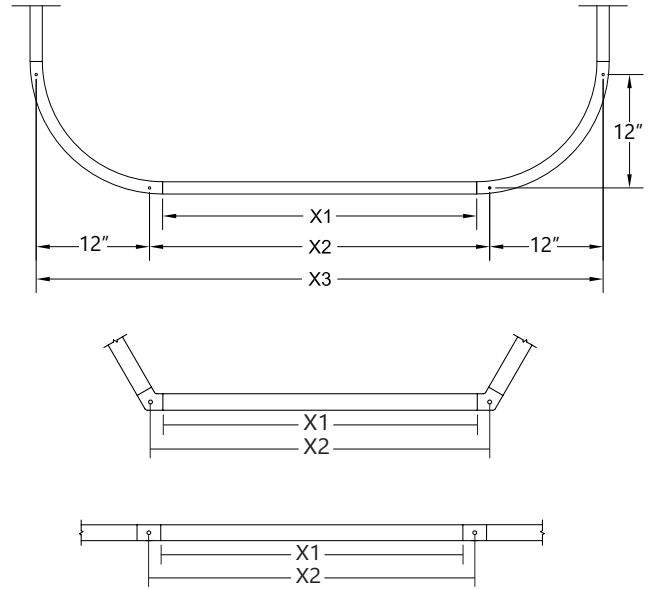


EXAMPLE CODE
FRAMEWORK: SFF-L(37)-LC90(2)+LC902ST55(2)+T90(2)-BLK-120-IMW-1-CA(36)-RC
SPOTLIGHTS: TDST55-MB-1600-90-35-BLK-LC902ST55 (QTY. 2)

● SEGMENT LENGTHS AND MOUNTING POINTS

Segment length X1			Mounting points X2		Curve Mounting points X3	
Feet	Inches	mm	Inches	mm	Inches	mm
3	33.250	870	36.000	914	60.000	1524
4	45.250	1175	48.000	1219	72.000	1829
5	57.250	1454	60.000	1524	84.000	2134
6	69.250	1759	72.000	1829	96.000	2438
7	81.250	2064	84.000	2134	108.000	2743
7.5	87.250	2216	90.000	2286	114.000	2896
8	93.250	2369	96.000	2438	120.000	3048

i Segment length from 3' to 8' continuous. Lengths above 8' will require Inline Hub.



X1 - Segment length
X2 - Mounting points
X3 - Curve Mounting points

● HUBS

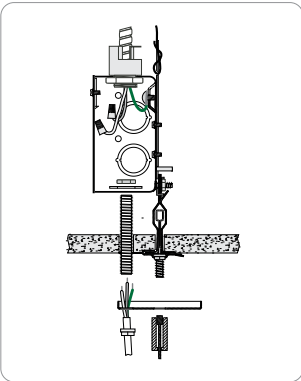
Patented system combining mechanical, electrical and reinforced suspension functions. Non-illuminated lighting segment connectors:

L-Hub (90°), T-Hub (90°), X-Hub (90°), Y-Hub (120°), Hex-Hub (120°), Inline-Hub (180°), Positive-Y-Hub (120°/ 60°), Negative-Y-Hub (60°/120°), X-Hub (60°/120°), Triangle-Hub (60°), End Cap Hub, and Curved L Hub (90°) blank or with one or two Stella 55.

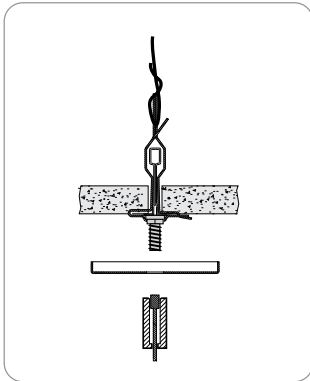
<p>L90-Hub</p>	<p>T90-Hub</p>	<p>X90-Hub</p>	<p>Y120-Hub</p>	<p>H120-Hex Hub</p>	<p>I180 -Inline Hub</p>
<p>X120-Hub</p>	<p>TR60-Hub</p>	<p>YP60-Hub</p>	<p>YN60-Hub</p>	<p>EC - End Cap Hub</p>	
<p>LC90- Curve Segment</p>		<p>LC901ST55- Curve Segment with 1 Stella 55</p>		<p>LC902ST55- Curve Segment with 2 Stella 55</p>	

● MOUNTING OPTIONS

CT9 CT15 CTS TILE CEILING - ON GRID

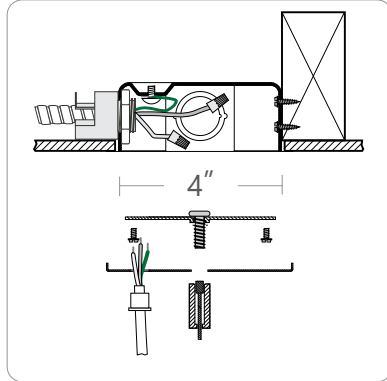


Power feed

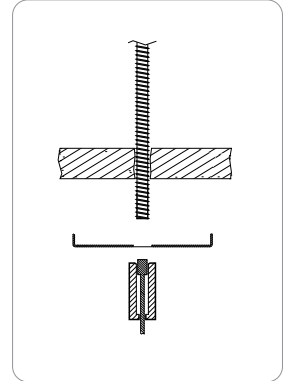


Non power feed

CA DRYWALL CEILING

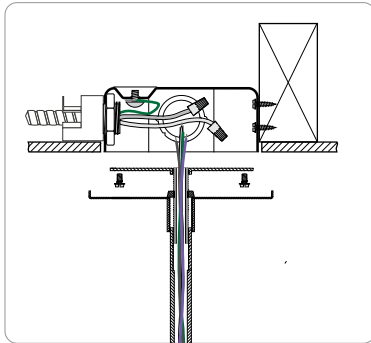


Power feed

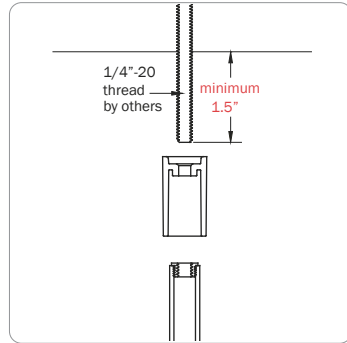


Non power feed

SLV STEM* MOUNT IN DRYWALL CEILING



Power feed



Non power feed

● CONSTRUCTION

Housing Hubs	Extruded aluminum (0.070" nominal) Steel reinforced die cast aluminum
Suspension	1/16" Aircraft cable 1/2" Aluminum stem with patent pending leveling adjustment.
Cable Grips	Quick Connecting / Release
Covers	Painted extruded aluminum

● ELECTRICAL (WIRING AND CIRCUITRY)

IMW	0-10V dimming system. Patented integral modular wiring system. One connection per segment. (see drawing) Designed to accept all StencilFlex® inserts with 0-10V DP integral drivers. (MAX rating 5A per power drop and circuit distribution)
IMWD	DALI 2.0 system. Patented integral modular wiring system. One connection per segment. (see drawing) Designed to accept all StencilFlex® inserts with DALI2 integral drivers. (MAX rating 5A per power drop and circuit distribution, MAX 64 drivers per DALI loop)
IMWEP	Wireless system. Patented integral modular wiring system. One connection per segment. (see drawing) Designed to accept all StencilFlex® inserts featuring Empower wireless control. (MAX rating 5A per power drop and circuit distribution)

i 0-10V wiring (IMW) can not be converted to Empower™ (IMWEP) or vice versa.

Emergency (EC) Emergency circuit optional. All emergency segments have dedicated wiring and are fixed on the framework. Their location does not move. UL 924 devices are integrated within that emergency segment. Only direct lighting inserts can be used in an Emergency segment.

NOTE: As per UL 924 AxisTrak™ Inserts (SFLDAXT) can not be used as Emergency Inserts.

Input Voltage 120V, 277V, UNV

Power Drops Power Drops are rated at 5A. Multiple Power Drops can be combined on the same breaker. For circuit loading, refer to shop drawings.

i Incorporating these components may have limitations or affect the length of the luminaire, please contact factory for more details.

● EMPOWER SYSTEM SELECTION

StencilFlex® framework supports Empower wireless control. All of the control elements are included with the inserts. The integral modular wiring provides the power to the Empower devices. Adding the freedom of resolution of one control.

NOTE: See [IC CONTROL GUIDE](#) for more information on Empower partners and compatibility.

● FINISH

Powder coated and custom finishes are also available.

● WEIGHT

Estimated framework weight per linear foot (hubs included) 0.8 lbs/ft

● WARRANTY

Limited 5-year warranty is available. Warranty is valid provided luminaires are installed and used according to specifications. For full terms and conditions, please consult warranty section at axislighting.com.

● APPROVALS

Certified to cULus standards.



Framework with Linear inserts certified under UL1598. All Decoratives, Pendants, and Spotlights certified under UL2108.

IMPORTANT – all patterns must be submitted with drawings indicating desired light elements.

