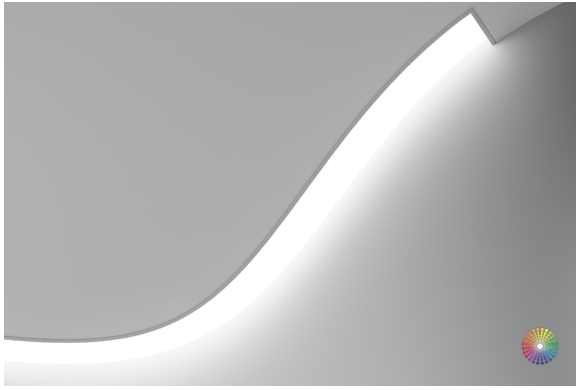


Sketch 4

PERIMETER - RGB+W



Project _____

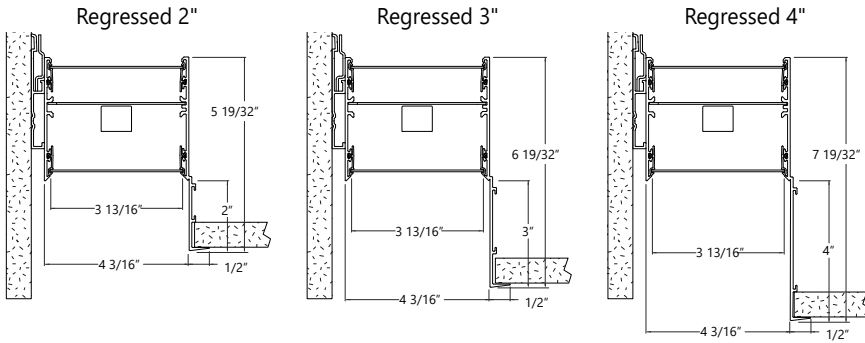
Type _____

Notes _____

● PERFORMANCE PER LINEAR FOOT AT 3500K WHITE

| | NOMINAL LUMEN OUTPUT DIRECT | INPUT WATTS* | EFFICACY |
|----------------|-----------------------------|--------------|-----------|
| Sketch 4 Flush | 1000lm/ft | 13.11 W/ft | 75.5 lm/W |

Please consult factory for other lumen output and wattage.



Ordering Guide

SK4PR-FF(101010)*-AL(9'2")-1000-90-CTRGBW35-SO-FL-W-120-CT(DMX)-1-DF

*Project reference number provided by Axis

| SK4PR | | PATTERNS AND FORMS | | TOTAL LENGTH | | LUMENS/FT | |
|---|-----------------------------------|--------------------|--|--------------|--|-----------|------------|
| PRODUCT ID | | FF(#) | free form pattern (project reference #)* | AL(X'XX") | specify total linear length in feet (4 ft minimum) | 1000 | 1000 lm/ft |
| SK4PR | Sketch 4 Perimeter Recessed RGB+W | ARC(R, Deg.) | arc (radius, degrees) | +CRN(#) | sharp corner (qty.) | | |
| | | LIN(L) | linear (length) | | | | |
| *Please provide pattern drawing, and specify project reference number. Factory is available for assistance. Regular lit corners (min 45 degrees) available. | | | | | | | |

| CRI | COLOUR TEMP. | SHIELDING | FINISH | VOLTAGE | DRIVER |
|-----|---------------------------------------|------------------|-------------------|---------------|---|
| 90 | high efficacy 90 CRI | FL spotless lens | AP aluminum paint | 120 120 V | CT(DMX) color tuning driver - remote only |
| | CTRGBW30 RGB+30K White - Color Tuning | RG2 regressed 2" | W white | 277 277 V | |
| | CTRGBW35 RGB+35K White - Color Tuning | RG3 regressed 3" | BLK black | UNV universal | |
| | CTRGBW40 RGB+40K White - Color Tuning | RG4 regressed 4" | C custom | | |

| CIRCUITS | MOUNTING | OTHER (OPT.) | CUSTOM (OPT.) |
|--|---|--|----------------|
| 1 1 circuit +E(#) emergency circuit * | DF drywall flange DS drywall spackle | FW flex whip (6' std)* | C custom |
| * Specify quantity | | * Other lengths available; please consult factory. | Please specify |

● CONSTRUCTION

| | |
|--------------------------------|------------------------------------|
| Housing | Extruded aluminum (0.075" nominal) |
| Interior reflectors | Sheet aluminum (16 gauge) |
| Mounting brkts. | Die cast aluminum (0.10" nominal) |
| Joining brackets. | Die cast aluminum (0.10" nominal) |
| Incap & Cross Brkt. | Die cast aluminum (0.10" nominal) |

● SHEILDING

| | |
|----------------------|------------------------|
| Spotless Lens | Acrylic (0.06" thick). |
|----------------------|------------------------|

● FINISH

Highly reflective, white powder coat finish paint for high efficiency. Matte texture to diffuse glare and lamp image on the surface within the optical chamber exterior. Custom finishes are also available.

● WEIGHT

Approximately 1.75lbs/ft = 0.8kg/ft (linear)

● DMX CONNECTION

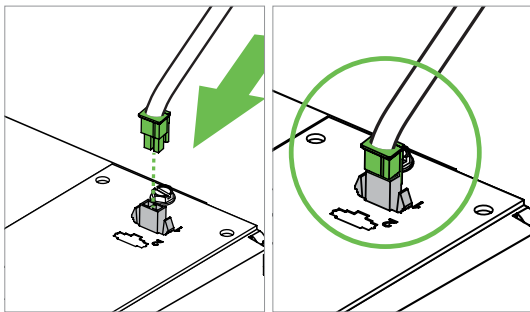


Illustration shows DMX cables that run to luminaire using MOLEX® Quick Connect plug for easy wiring.

Appropriate cables include (but are not limited to) the following:

| PLENUM RATED | NON-PLENUM RATED |
|--------------------|----------------------------------|
| Belden 82842 | Belden 9842 Liberty 24-2P-485 |
| Belden 89842 | |
| Liberty 24-1P-P485 | |
| Liberty 24-2P-P485 | |

The maximum recommended run length between a single fixture and the DMX controller or splitter where the signal originates (or is boosted in the case of a splitter) is 1000 ft including any cable length between a ceiling canopy and the fixture.

The maximum recommended bus run length between two daisy-chained DMX controlled fixtures is 300 ft.

● ELECTRICAL

| | |
|-------------------------------|-----------------------------|
| Color Tuning CT driver | DMX - Standard |
| Emergency | Emergency circuit optional. |
| Input Voltage | 120V, 277V, UNV. |

i Incorporating these components may have limitations or affect the length of the luminaire. Please contact factory for more details.

● LED SYSTEM

| | |
|-------------------------|--|
| CRI | High efficacy 90 color rendering index. |
| CRI Color Tuning | 90 CRI for CTRGBW. Note: RGB+W allows you to select the 'white point' (CCT) + CRI, delivering a more flexible and powerful white than standard RGBW. |
| CCT Color Tuning | 30 (3000K) 35 (3500K) 40 (4000K) |


CCT Axitune Systems [Consult Axitune technical sheet for more information on color technology.](#)

LED life Minimum 50,000h with 85% of lumen maintenance in 25°C ambient temperature, in compliance with IES LM-80 testing measurements.

Thermal Management Aluminum housing acting as the heat sink to maximize life.

Environment Dry and damp rated in operating ambient temperatures of 0-40°C (32-104F).

● APPROVALS

Certified to CSA standards 
Meets NYC requirements
Suitable for damp locations, indoor only.

● WARRANTY

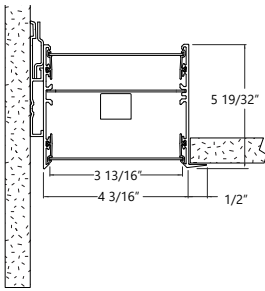
Axis Lighting will warrant defective LEDs, boards, and drivers for 5 years from date of purchase. Warranty is valid if luminaire is installed and used according to specifications. If defective, Axis will send replacement boards or drivers at no cost along with detailed replacement instructions and instructions on how to return defective components to Axis.

Sketch 4

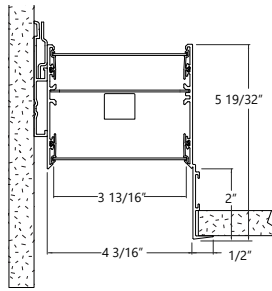
PERIMETER - RGB+W

SECTION VIEWS

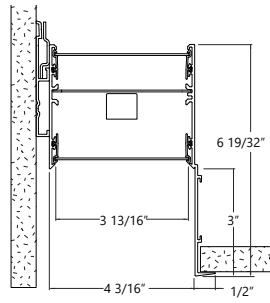
FL Flush
DF Drywall flange



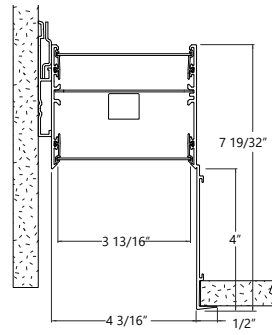
2RG 2" regressed
DF Drywall flange



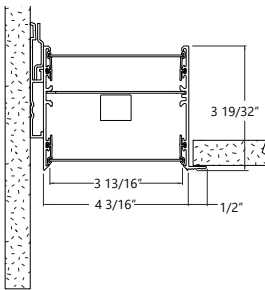
3RG 3" regressed
DF Drywall flange



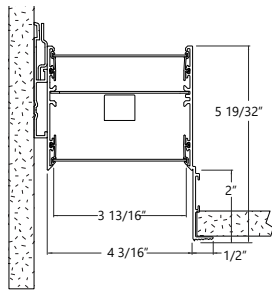
4RG 4" regressed
DF Drywall flange



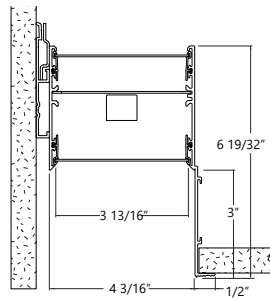
FL Flush
DS Drywall spackle



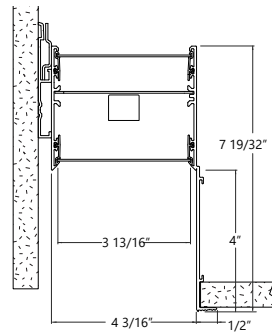
2RG 2" regressed
DS Drywall spackle



3RG 3" regressed
DS Drywall spackle



4RG 4" regressed
DS Drywall spackle



DMX INSTALLATION EXAMPLE



DMX OUT

L1

Bus length for daisy chain =
length L1 + length L2 +
length L3 etc.

L2

Fixtures with DMX IN and
DMX OUT ports may be daisy
chained

L3



Terminator should be
installed at the end of every
bus

DMX IN

DMX Fixture

DMX OUT

DMX IN

DMX Fixture

DMX OUT

DMX IN

DMX Fixture



● WHAT IS DMX512 AND RDM

DMX512A (Digital Multiplex 512) is a communication standard (based on EIA-485/RS-485) for digital communication networks, typically used in stage lighting and control, but also in other various lighting applications.

DMX drivers are installed in DMX-enabled luminaires and programmed to specific DMX addresses to properly zone and control your fixtures.

RDM (Remote Device Management) is a protocol enhancement to DMX512, which allows a commissioner to remotely program multiple or individual DMX decoders to a unique DMX address. This is performed by simply connecting an RDM controller to the first DMX driver in a series run.

All DMX drivers/decoders Axis is using are RDM-compatible.

● DMX GLOSSARY

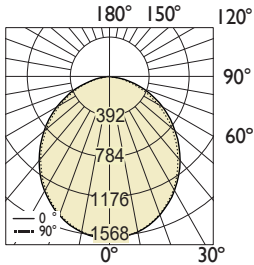
- **DMX Signal:** a repeating chain data output by a DMX controller, comprised of one 8-bit start code packet followed by 512 8-bit data packets. The first data packet is slot 1, the second slot 2, etc. The entire chain is repeated 44 times per second.
- **Device:** a DMX controller, a DMX-controlled fixture, or a DMX splitter DMX controller: a device where the DMX signal originates (sometimes called a "console")
- **DMX splitter:** a device that receives a DMX signal on its input, then duplicates that signal on its output(s). The input and output signals are usually isolated from each other, and the signal is "boosted" back to full voltage at each output (thereby compensating for voltage drop in long wiring runs). DMX splitters must be powered by their own mains or low-voltage supply.
- **DMX Fixture:** a light fixture that contains a DMX decoder that receives a DMX signal and changes its behavior based on those commands. Fixtures may be equipped with both "input" and "output" connections for the DMX signal.
- **DMX network:** ALL devices, cabling, and interconnections in a DMX controlled lighting system including the controller, fixtures, and splitters (if used)
- **Bus:** a continuous run of daisy-chained devices, originating at the output of a DMX controller or DMX splitter. No more than 32 devices should be connected to a single bus per the DMX-512A standard.
- **Terminator:** a 120Ω resistance installed at the end of a DMX bus to eliminate signal reflection back into the network
- **Channel:** a DMX-controlled element within a DMX fixture. For example an RGB fixture has three channels: one each for red, green, and blue.
- **Address:** the number of the first channel that a DMX fixture reads from the DMX signal

● PHOTOMETRIC DATA

SO Spotless lens - Flush

Downlight
1000 lm/ft

PHOTOMETRIC CURVE



CANDELA DISTRIBUTION

| Vertical Angle | Horizontal Angles | | | | |
|----------------|-------------------|------|------|------|------|
| | 0 | 22.5 | 45 | 67.5 | 90 |
| 0 | 1566 | 1566 | 1566 | 1566 | 1566 |
| 5 | 1555 | 1554 | 1555 | 1556 | 1558 |
| 15 | 1485 | 1483 | 1483 | 1482 | 1483 |
| 25 | 1351 | 1347 | 1346 | 1341 | 1342 |
| 35 | 1170 | 1164 | 1158 | 1146 | 1146 |
| 45 | 955 | 946 | 935 | 920 | 916 |
| 55 | 722 | 711 | 696 | 676 | 672 |
| 65 | 483 | 469 | 453 | 430 | 425 |
| 75 | 254 | 236 | 216 | 194 | 189 |
| 85 | 60 | 45 | 30 | 20 | 18 |
| 90 | 4 | 4 | 4 | 4 | 3 |

ZONAL LUMENS

| Zone | Lumens |
|-------|--------|
| 0 | |
| 0-10 | 148 |
| 10-20 | 418 |
| 20-30 | 620 |
| 30-40 | 724 |
| 40-50 | 723 |
| 50-60 | 625 |
| 60-70 | 453 |
| 70-80 | 238 |
| 80-90 | 51 |
| 90 | |

LUMINANCE DATA (cd/m²)

| Vertical Angle | Horizontal Angles | | |
|----------------|-------------------|-------|-------|
| | 0 | 45 | 90 |
| 45 | 12022 | 11772 | 11534 |
| 55 | 11207 | 10806 | 10439 |
| 65 | 10182 | 9539 | 8946 |
| 75 | 8729 | 7449 | 6519 |
| 85 | 6128 | 3111 | 1836 |

Total Lumens: 3958 lm (for 4ft)

Input Watts: 52.42 W

Efficacy: 75.5 lm/W

IES FILE: SK4xx-LIN(4)-AL(4)-1000-90-CTRGBW35-SO.ies

TESTED ACCORDING TO IES LM-79-2019

i All IES files are available for download at: www.axislighting.com

IMPORTANT – all patterns must be submitted with drawings indicating size and radii dimensions.

