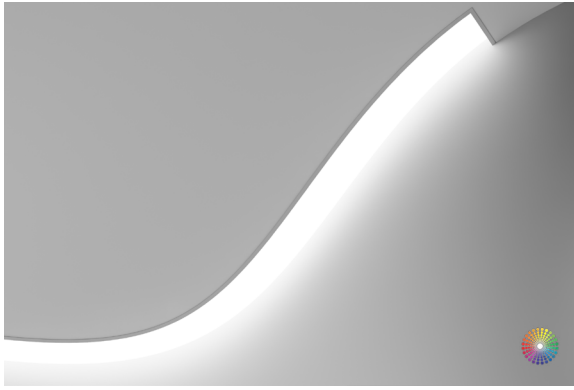


Sketch 4

PERIMETER IP54 - RGB+W

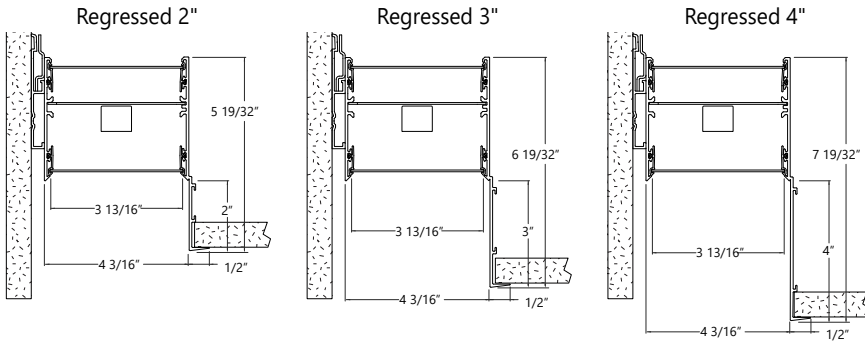


Project _____
 Type _____
 Notes _____

● PERFORMANCE PER LINEAR FOOT AT 3500K WHITE

	NOMINAL LUMEN OUTPUT DIRECT	INPUT WATTS*	EFFICACY
Sketch 4 Flush	1000lm/ft	13.11 W/ft	75.5 lm/W

Please consult factory for other lumen output and wattage.



Ordering Guide

SK4PRS-FF(101010)*-AL(9'2")-1000-90-CTRGBW35-SO-FL-W-120-CT(DMX)-1-DF

*Project reference number provided by Axis

SK4PRS		PATTERNS AND FORMS		TOTAL LENGTH		LUMENS/FT	
PRODUCT ID		FF(#)	ARC(R, Deg.)	AL(X'XX")		1000	1000 lm/ft
SK4PRS	Sketch 4 Perimeter Recessed RGB+W Sealed - IP54 rated	FF(#)	free form pattern (project reference #)*	AL(X'XX")	specify total linear length in feet (4 ft minimum)		
		ARC(R, Deg.)	arc (radius, degrees)	+CRN(#)	sharp corner (qty.)		
		LIN(L)	linear (length)				
*Please provide pattern drawing, and specify project reference number. Factory is available for assistance. Regular lit corners (min 45 degrees) available.							

CRI	COLOUR TEMP.	SHIELDING	FINISH	VOLTAGE	DRIVER
90	high efficacy 90 CRI	FL spotless lens	AP aluminum paint	120 120 V	CT(DMX) color tuning driver - remote only
	CTRGBW30 RGB+30K White - Color Tuning	RG2 regressed 2"	W white	277 277 V	
	CTRGBW35 RGB+35K White - Color Tuning	RG3 regressed 3"	BLK black	UNV universal	
	CTRGBW40 RGB+40K White - Color Tuning	RG4 regressed 4"	C custom		

CIRCUITS	MOUNTING	OTHER (OPT.)	CUSTOM (OPT.)
1 1 circuit +E(#) emergency circuit *	DF drywall flange DS drywall spackle	FW flex whip (6' std)*	C custom
* Specify quantity		* Other lengths available; please consult factory.	Please specify

CONSTRUCTION

Housing	Extruded aluminum (0.075" nominal)
Interior reflectors	Sheet aluminum (16 gauge)
Mounting brkts.	Die cast aluminum (0.10" nominal)
Joining brackets.	Die cast aluminum (0.10" nominal)
Incap & Cross Brkt.	Die cast aluminum (0.10" nominal)

SHEILDING

Spotless Lens Acrylic (0.06" thick).

FINISH

Highly reflective, white powder coat finish paint for high efficiency. Matte texture to diffuse glare and lamp image on the surface within the optical chamber exterior. Custom finishes are also available.

WEIGHT

Approximately 1.75lbs/ft = 0.8kg/ft (linear)

DMX CONNECTION

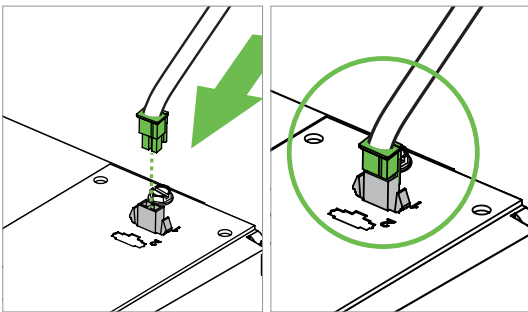


Illustration shows DMX cables that run to luminaire using MOLEX® Quick Connect plug for easy wiring.

Appropriate cables include (but are not limited to) the following:

PLENUM RATED	NON-PLENUM RATED
Belden 82842	Belden 9842 Liberty 24-2P-485
Belden 89842	
Liberty 24-1P-P485	
Liberty 24-2P-P485	

The maximum recommended run length between a single fixture and the DMX controller or splitter where the signal originates (or is boosted in the case of a splitter) is 1000 ft including any cable length between a ceiling canopy and the fixture.

The maximum recommended bus run length between two daisy-chained DMX controlled fixtures is 300 ft.

ELECTRICAL

Color Tuning CT driver	DMX - Standard
Emergency	Emergency circuit optional.
Input Voltage	120V, 277V, UNV.

i Incorporating these components may have limitations or affect the length of the luminaire. Please contact factory for more details.

LED SYSTEM

CRI	High efficacy 90 color rendering index.
CRI Color Tuning	90 CRI for CTRGBW. Note: RGB+W allows you to select the 'white point' (CCT) + CRI, delivering a more flexible and powerful white than standard RGBW.
CCT Color Tuning	30 (3000K) 35 (3500K) 40 (4000K)

CCT Axitune Systems [Consult Axitune technical sheet for more information on color technology.](#)

LED life Minimum 50,000h with 85% of lumen maintenance in 25°C ambient temperature, in compliance with IES LM-80 testing measurements.

Thermal Management Aluminum housing acting as the heat sink to maximize life.

Environment Outdoor under canopy, indoor healthcare and wipe down IP54 rated.

APPROVALS

Certified to CSA standards 

Meets NYC requirements

Suitable for outdoor under canopy, indoor healthcare and wipe down IP54 rated

WARRANTY

Axis Lighting will warrant defective LEDs, boards, and drivers for 5 years from date of purchase. Warranty is valid if luminaire is installed and used according to specifications.

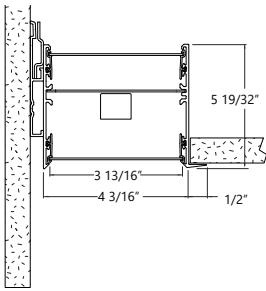
If defective, Axis will send replacement boards or drivers at no cost along with detailed replacement instructions and instructions on how to return defective components to Axis.

Sketch 4

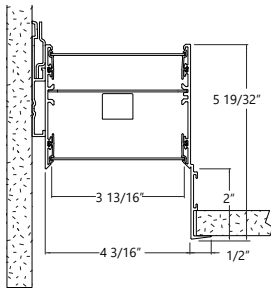
PERIMETER IP54 - RGB+W

SECTION VIEWS

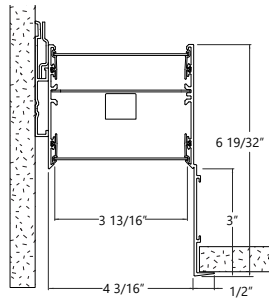
FL Flush
DF Drywall flange



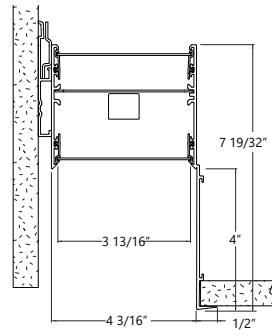
2RG 2" regressed
DF Drywall flange



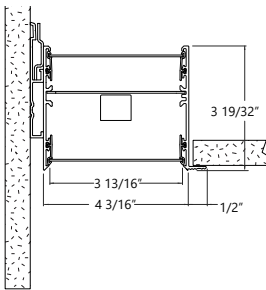
3RG 3" regressed
DF Drywall flange



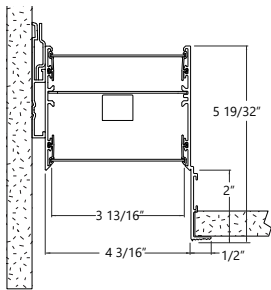
4RG 4" regressed
DF Drywall flange



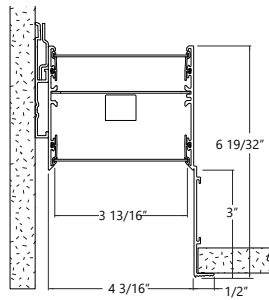
FL Flush
DS Drywall spackle



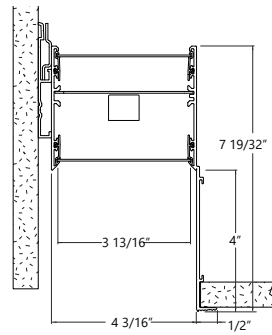
2RG 2" regressed
DS Drywall spackle



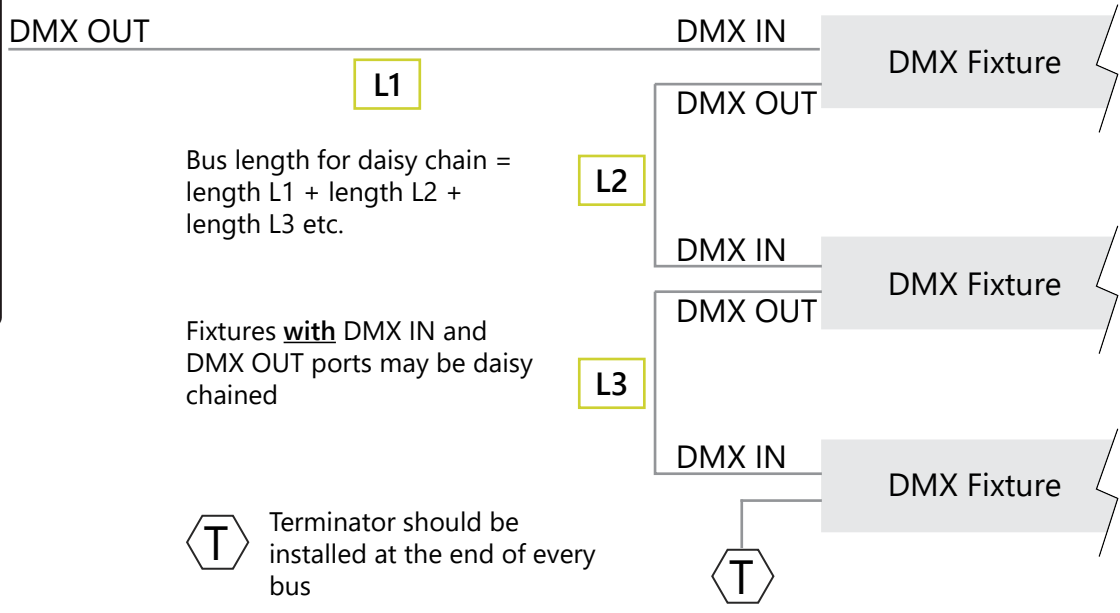
3RG 3" regressed
DS Drywall spackle



4RG 4" regressed
DS Drywall spackle



DMX INSTALLATION EXAMPLE



● WHAT IS DMX512 AND RDM

DMX512A (Digital Multiplex 512) is a communication standard (based on EIA-485/RS-485) for digital communication networks, typically used in stage lighting and control, but also in other various lighting applications.

DMX drivers are installed in DMX-enabled luminaires and programmed to specific DMX addresses to properly zone and control your fixtures.

RDM (Remote Device Management) is a protocol enhancement to DMX512, which allows a commissioner to remotely program multiple or individual DMX decoders to a unique DMX address. This is performed by simply connecting an RDM controller to the first DMX driver in a series run.

All DMX drivers/decoders Axis is using are RDM-compatible.

● DMX GLOSSARY

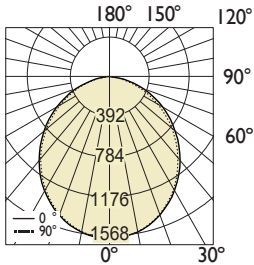
- **DMX Signal:** a repeating chain data output by a DMX controller, comprised of one 8-bit start code packet followed by 512 8-bit data packets. The first data packet is slot 1, the second slot 2, etc. The entire chain is repeated 44 times per second.
- **Device:** a DMX controller, a DMX-controlled fixture, or a DMX splitter DMX controller: a device where the DMX signal originates (sometimes called a "console")
- **DMX splitter:** a device that receives a DMX signal on its input, then duplicates that signal on its output(s). The input and output signals are usually isolated from each other, and the signal is "boosted" back to full voltage at each output (thereby compensating for voltage drop in long wiring runs). DMX splitters must be powered by their own mains or low-voltage supply.
- **DMX Fixture:** a light fixture that contains a DMX decoder that receives a DMX signal and changes its behavior based on those commands. Fixtures may be equipped with both "input" and "output" connections for the DMX signal.
- **DMX network:** ALL devices, cabling, and interconnections in a DMX controlled lighting system including the controller, fixtures, and splitters (if used)
- **Bus:** a continuous run of daisy-chained devices, originating at the output of a DMX controller or DMX splitter. No more than 32 devices should be connected to a single bus per the DMX-512A standard.
- **Terminator:** a 120Ω resistance installed at the end of a DMX bus to eliminate signal reflection back into the network
- **Channel:** a DMX-controlled element within a DMX fixture. For example an RGB fixture has three channels: one each for red, green, and blue.
- **Address:** the number of the first channel that a DMX fixture reads from the DMX signal

● PHOTOMETRIC DATA

SO Spotless lens - Flush

Downlight
1000 lm/ft

PHOTOMETRIC CURVE



CANDELA DISTRIBUTION

Vertical Angle	Horizontal Angles				
	0	22.5	45	67.5	90
0	1566	1566	1566	1566	1566
5	1555	1554	1555	1556	1558
15	1485	1483	1483	1482	1483
25	1351	1347	1346	1341	1342
35	1170	1164	1158	1146	1146
45	955	946	935	920	916
55	722	711	696	676	672
65	483	469	453	430	425
75	254	236	216	194	189
85	60	45	30	20	18
90	4	4	4	4	3

ZONAL LUMENS

Zone	Lumens
0	
0-10	148
10-20	418
20-30	620
30-40	724
40-50	723
50-60	625
60-70	453
70-80	238
80-90	51
90	

LUMINANCE DATA (cd/m²)

Vertical Angle	Horizontal Angles		
	0	45	90
45	12022	11772	11534
55	11207	10806	10439
65	10182	9539	8946
75	8729	7449	6519
85	6128	3111	1836

Total Lumens: 3958 lm (for 4ft)

Input Watts: 52.42 W

Efficacy: 75.5 lm/W

IES FILE: SK4xx-LIN(4)-AL(4)-1000-90-CTRGBW35-SO.ies

TESTED ACCORDING TO IES LM-79-2019

i All IES files are available for download at: www.axislighting.com

IMPORTANT – all patterns must be submitted with drawings indicating size and radii dimensions.

