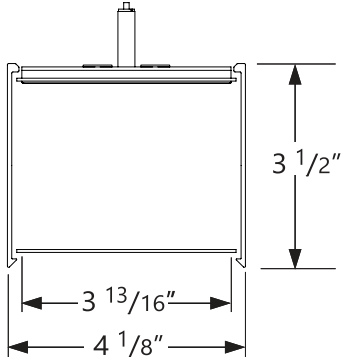


# Sketch 4

# RING PENDANT



Project \_\_\_\_\_

Type \_\_\_\_\_

Notes \_\_\_\_\_

**● PERFORMANCE PER LINEAR FOOT AT 3500K, 90CRI**

	NOMINAL LUMEN OUTPUT INDIRECT	NOMINAL LUMEN OUTPUT DIRECT	INPUT WATTS	EFFICACY
Sketch 4	1400lm/ft	1400lm/ft	21.7 W/ft	129 lm/W

Please consult factory for other lumen output and wattage.



## Ordering Guide

PRODUCT ID	PATTERNS AND FORMS	CORRESPONDING TOTAL LENGTH	LUMENS/FT INDIRECT <i>(Skip selection for direct only SK4PD.)</i>	LUMENS/FT DIRECT
<b>SK4PDI</b> Sketch 4 Ring Pendant Direct/Indirect	<b>D(24")</b> diameter 24"	<b>AL(6' 3 6/16")</b>	<b>300</b> 300 lm/ft - Low	<b>300</b> 300 lm/ft - Low
	<b>D(36")</b> diameter 36"	<b>AL(9' 5 2/16")</b>	<b>1400</b> 1400 lm/ft - High	<b>1400</b> 1400 lm/ft - High
	<b>D(48")</b> diameter 48"	<b>AL(13' 6 13/16")</b>		
<b>SK4PD</b> Sketch 4 Ring Pendant Direct	<b>D(60")</b> diameter 60"	<b>AL(16' 8 8/16")</b>		
	<b>D(72")</b> diameter 72"	<b>AL(19' 10 3/16")</b>		
	<b>D(84")</b> diameter 84"	<b>AL(22' 11 14/16")</b>		
	<b>D(96")</b> diameter 96"	<b>AL(25' 1 9/16")</b>		
See above for available diameter options. See page 2 for ordering examples.			Outputs between listed are available. Consult factory for outputs outside of the listed range.	

CRI	COLOR TEMP.	SHIELDING INDIRECT <i>(Skip selection for direct only SK4PD.)</i>	SHIELDING DIRECT	FINISH	VOLTAGE	DRIVER
<b>90</b> high efficacy 90 CRI	<b>27</b> 2700 K	<b>SO</b> spotless lens	<b>SO</b> spotless lens	<b>AP</b> aluminum paint <b>W</b> white <b>BLK</b> black <b>C</b> custom*	<b>120</b> 120V	<b>DP</b> dimming (0-10V) 1% - integral <b>DALIDT6</b> integral driver DALI 2.0 Type 6 - integral <b>LT(#)</b> Lutron - remote* <b>O(#)</b> other - remote** <b>POE(#)</b> POE drivers - remote*
	<b>35</b> 3500 K				<b>277</b> 277V	
	<b>30</b> 3000 K				<b>UNV</b> universal	
	<b>40</b> 4000 K				<b>347</b> 347V* <b>DC</b> low voltage*	
				<a href="#">*See custom finishes.</a>	* Remote only. ** Only available with POE drivers.	* Specify system; see page 3. **Please consult factory; see page 3

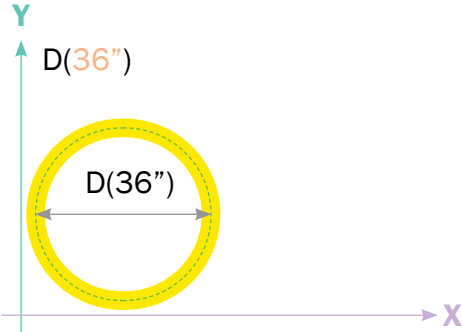
CIRCUITS	MOUNTING/SUSPENSION	MONOPOINT (OPT.)	REMOTE BATTERY (OPT.)	CUSTOM (OPT.)
<b>1</b> 1 circuit <b>2</b> 2 circuits <b>+E(#)</b> emergency circuit * <b>+GTD(#)</b> generator transfer device **	<b>CA(#)</b> drywall+cable length (36" std.) <b>CT9(#)</b> TB/TG 9/16+cable length (36" std.) <b>CT15(#)</b> TB/TG15/16+cable length (36" std.) <b>CTS(#)</b> screw slot+cable length (36" std.) <b>CASL(#)</b> drywall cable sloped ceiling	<b>MP</b> Monopoint mounting	<b>BR(#)</b> battery pack remote	<b>C</b> custom
* Specify quantity ** Remote only.	<a href="#">See Mounting kit guide for full specification code.</a> Specify quantity	Only available with 24", 36", 48" diameter rings.		Please specify

### How to Specify Standard Rings

**Note:** The center line indicates the diameter at the center of the curve. Regardless to the mounting style, the center line remains the same. This is the dimension that should be used when planning a layout.

#### Defining Rings - Circular shape

SK4PD-D(36")-AL(9' 5 3/32")-500-90-35-SO-SO-W-120-DP-1-CA(36")



**Note:** The number will define the diameter of the circle.

## ● CONSTRUCTION

<b>Housing</b>	Extruded aluminum (0.075" nominal)
<b>Interior reflectors</b>	Sheet aluminum (20 gauge)
<b>Mounting brkts.</b>	Die cast aluminum (0.10" nominal)
<b>Joining brackets.</b>	Die cast aluminum (0.10" nominal)
<b>Incap &amp; Cross Brkt.</b>	Die cast aluminum (0.10" nominal)

## ● ELECTRICAL

<b>DP driver</b>	integral DP driver. 0-10V 1% dimming standard.
<b>DALI2 driver</b>	integral DALI driver. DALI Type 6 standard. DALI 2.0 D4i certified driver.
<b>Lutron driver* (Remote)</b>	LDE1 - EcoSystem H-Series (1%)
<b>Other drivers* (Remote)</b>	DMX - Digital Multiplex Xitanium SR - For wireless sensor *Consult factory
<b>Power over Ethernet POE drivers* (consult factory for more information)</b> UL2108 certified for remote driver	MOLEX IGOR SMARTENGINE O - Other (Consult factory)
<b>Emergency*</b>	Remote emergency battery pack or emergency circuit optional. *Consult factory
<b>Input Voltage</b>	120V, 277V, 347V, UNV, DC.

**i** Incorporating these components may have limitations or effect the length of the luminaire, please contact factory for more details.

## ● SHEILDING

<b>Spotless Lens</b>	Acrylic (0.06" thick).
----------------------	------------------------

## ● FINISH

Highly reflective, white powder coat finish paint for high efficiency. Matte texture to diffuse glare and lamp image on the surface within the optical chamber exterior. Custom finishes are also available.


## ● WEIGHT

Approximately 1.75lbs/ft = 0.8kg/ft (linear)

## ● LED SYSTEM

<b>CRI</b>	High efficacy 90 color rendering index.
<b>CCT Single Color</b>	Choice of 2700K, 3000K, 3500K and 4000K color temperature with a great color consistency (within 3-step MacAdam ellipse). Both within fixture and fixture to fixture.
<b>LED life</b>	Minimum 50,000h with 85% of lumen maintenance in 25°C ambient temperature, in compliance with IES LM-80 testing measurements.
<b>Thermal Management</b>	Aluminum housing acting as the heat sink to maximize life.
<b>Environment</b>	Dry and damp rated in operating ambient temperatures of 0-40°C (32-104F).

## ● APPROVALS

Certified to CSA standards   
Meets NYC requirements  
Suitable for damp locations, indoor only.

## ● WARRANTY

Axis Lighting will warrant defective LEDs, boards, and drivers for 5 years from date of purchase. Warranty is valid if luminaire is installed and used according to specifications. If defective, Axis will send replacement boards or drivers at no cost along with detailed replacement instructions and instructions on how to return defective components to Axis.

# Sketch 4

## RING PENDANT

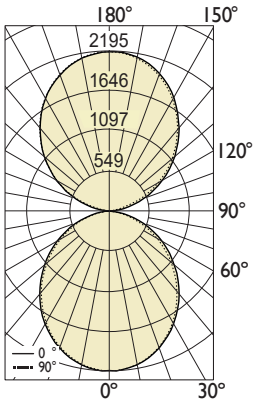
### ● PHOTOMETRIC DATA

**SO** Spotless lens - Up  
**SO** Spotless lens - Down

Uplight  
**1400 lm/ft**

Downlight  
**1400 lm/ft**

#### PHOTOMETRIC CURVE



**Lumen up: 5601lm**  
**Lumen down: 5601 lm**  
**Total Lumens: 11203 lm (for 4ft)**  
**Input Watts: 86.8 W**  
**Efficacy: 129 lm/W**  
 IES FILE: SK4PDI-1400-1400-SO-SO-90-35.ies

TESTED ACCORDING TO IES LM-79-2019

#### CANDELA DISTRIBUTION

Vertical Angle	Horizontal Angles				
	0	22.5	45	67.5	90
0	2192	2192	2192	2192	2192
5	2176	2175	2178	2179	2181
15	2079	2076	2076	2075	2077
25	1892	1886	1884	1877	1879
35	1638	1630	1622	1604	1604
45	1336	1325	1309	1288	1282
55	1010	995	974	946	941
65	676	656	634	602	594
75	355	330	303	271	265
85	84	64	43	28	25
90	12	11	11	10	10
95	86	51	24	21	21
105	343	325	289	221	203
115	674	656	636	606	597
125	1011	991	977	957	957
135	1337	1320	1308	1293	1296
145	1638	1623	1619	1607	1610
155	1902	1891	1887	1878	1876
165	2089	2080	2078	2077	2072
175	2184	2181	2179	2177	2176
180	2189	2189	2189	2189	2189

#### ZONAL LUMENS

Zone	Lumens
0	
0-10	207
10-20	585
20-30	868
30-40	1014
40-50	1012
50-60	876
60-70	634
70-80	333
80-90	73
90	
90-100	57
100-110	315
110-120	641
120-130	887
130-140	1020
140-150	1019
150-160	870
160-170	586
170-180	207
180	

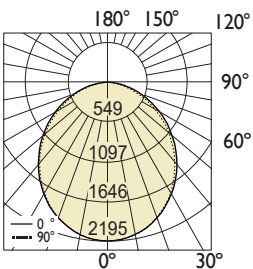
#### LUMINANCE DATA (cd/m<sup>2</sup>)

Vertical Angle	Horizontal Angles		
	0	45	90
45	16831	16481	16148
55	15689	15129	14615
65	14255	13354	12525
75	12221	10429	9126
85	8579	4355	2570

**SO** Spotless lens - Down

Downlight  
**1400 lm/ft**

#### PHOTOMETRIC CURVE



**Total Lumens: 5601 lm (for 4ft)**  
**Input Watts: 43.51 W**  
**Efficacy: 129 lm/W**  
 IES FILE: SK4PD-FF-4-1400-90-35-SO-Preliminary.ies

TESTED ACCORDING TO IES LM-79-2019

#### CANDELA DISTRIBUTION

Vertical Angle	Horizontal Angles				
	0	22.5	45	67.5	90
0	2192	2192	2192	2192	2192
5	2176	2175	2178	2179	2181
15	2079	2076	2076	2075	2077
25	1892	1886	1884	1877	1879
35	1638	1630	1622	1604	1604
45	1336	1325	1309	1288	1282
55	1010	995	974	946	941
65	676	656	634	602	594
75	355	330	303	271	265
85	84	64	43	28	25
90	6	6	5	5	5

#### ZONAL LUMENS

Zone	Lumens
0	
0-10	207
10-20	585
20-30	868
30-40	1014
40-50	1012
50-60	876
60-70	634
70-80	333
80-90	72
90	

#### LUMINANCE DATA (cd/m<sup>2</sup>)

Vertical Angle	Horizontal Angles		
	0	45	90
45	16831	16481	16148
55	15689	15129	14615
65	14255	13354	12525
75	12221	10429	9126
85	8579	4355	2570

**i** All IES files are available for download at: [www.axislighting.com](http://www.axislighting.com)