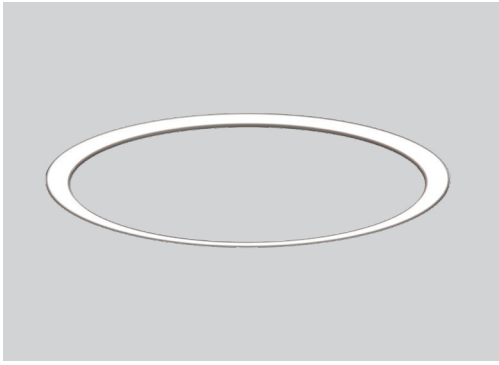


Sketch 2

RING RECESSED



Project _____

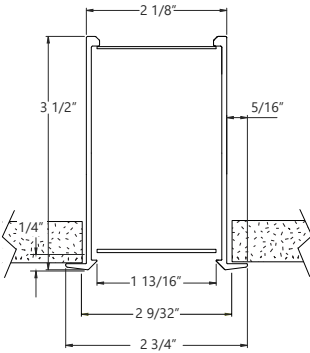
Type _____

Notes _____

● PERFORMANCE PER LINEAR FOOT AT 3500K, 90CRI

	NOMINAL LUMEN OUTPUT DIRECT	INPUT WATTS*	EFFICACY
Sketch 2	1100lm/ft	9.85 W/ft	112 lm/W

Please consult factory for other lumen output and wattage.



Ordering Guide

SK2R		PATTERNS AND FORMS		CORRESPONDING TOTAL LENGTH		LUMENS/FT	
PRODUCT ID							
SK2R	Sketch 2 Ring Recessed	D(24")	diameter 24"	AL(6' 3 6/16")		300	300 lm/ft- Low
		D(36")	diameter 36"	AL(9' 5 2/16")			
		D(48")	diameter 48"	AL(13' 6 13/16")		1100	1100 lm/ft - High
		D(60")	diameter 60"	AL(16' 8 8/16")			
		D(72")	diameter 72"	AL(19' 10 3/16")			
		D(84")	diameter 84"	AL(22' 11 14/16")			
D(96")	diameter 96"	AL(25' 1 9/16")					
See above for available diameter options. See page 2 for ordering examples.						Outputs between listed are available. Consult factory for outputs outside of the listed range.	

CRI		COLOUR TEMP.		SHIELDING		FINISH		VOLTAGE		DRIVER	
90	high	27	2700 K	SO	spotless lens	AP	aluminum paint	120	120V	DP dimming (0-10V) 1% - integral DALI2 integral driver DALI 2.0 Type 6 - integral LT(#) Lutron - remote* O(#) other - remote** POE(#) POE drivers - remote*	
	efficacy	35	3500 K			W	white	277	277V		
	90 CRI	30	3000 K			BLK	black	347	347V*		
		40	4000 K			C	custom	UNV	universal		
								DC	low voltage*		
								* Remote only.		* Specify system; see page 3.	
								** Only available with POE drivers.		**Please consult factory; see page 3	

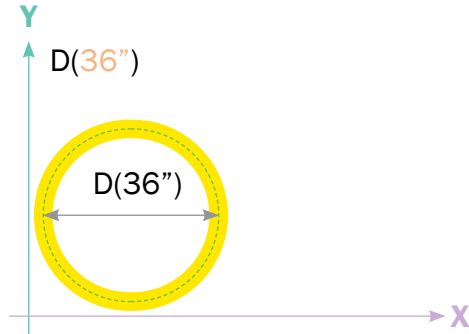
CIRCUITS		MOUNTING		REMOTE BATTERY (OPT.)		OTHER (OPT.)		CUSTOM (OPT.)	
1	1 circuit	DF	drywall flange	BR(#)	battery pack	FW	flex whip (6' std)*	C	custom
2	2 circuits	DS	drywall spackle flange		remote				
+E(#)	emergency circuit *								
+GTD(#)	generator transfer device * **								
* Specify quantity		Specify quantity				* Other lengths available; please consult factory.		Please specify	
** Remote only.									

How to Specify Standard Rings

Note: The center line indicates the diameter at the center of the curve. Regardless to the mounting style, the center line remains the same. This is the dimension that should be used when planning a layout.

Defining Rings - Circular shape

SK2R-D(36")-AL(9' 5 3/32")-500-90-35-SO-W-120-DP-1-DF



Note: The number will define the diameter of the circle.

● CONSTRUCTION

Housing	Extruded aluminum (0.075" nominal)
Interior reflectors	Sheet aluminum (20 gauge)
Mounting brkts.	Die cast aluminum (0.10" nominal)
Joining brackets.	Die cast aluminum (0.10" nominal)
Incap & Cross Brkt.	Die cast aluminum (0.10" nominal)

● ELECTRICAL

DP driver	integral DP driver. 0-10V 1% dimming standard.
DALI2 driver	integral DALI driver. DALI 2.0 D4i certified driver.
Lutron driver* (Remote)	LDE1 - EcoSystem H-Series (1%)
Other drivers* (Remote)	DMX - Digital Multiplex Xitanium SR - For wireless sensor *Consult factory
Power over Ethernet POE drivers* (consult factory for more information) UL2108 certified for remote driver	MOLEX IGOR SMARTENGINE O - Other (Consult factory)
Emergency*	Remote emergency battery pack or emergency circuit optional. *Consult factory
Input Voltage	120V, 277V, 347V, UNV, DC.

i Incorporating these components may have limitations or effect the length of the luminaire, please contact factory for more details.

● SHEILDING

Spotless Lens Acrylic (0.06" thick).

● FINISH

Highly reflective, white powder coat finish paint for high efficiency. Matte texture to diffuse glare and lamp image on the surface within the optical chamber exterior. Custom finishes are also available.


● WEIGHT

Approximately 1.75lbs/ft = 0.8kg/ft (linear)

● LED SYSTEM

CRI	High efficacy 90 color rendering index.
CCT Single Color	Choice of 2700K, 3000K, 3500K and 4000K color temperature with a great color consistency (within 3-step MacAdam ellipse). Both within fixture and fixture to fixture.
LED life	Minimum 50,000h with 85% of lumen maintenance in 25°C ambient temperature, in compliance with IES LM-80 testing measurements.
Thermal Management	Aluminum housing acting as the heat sink to maximize life.
Environment	Dry and damp rated in operating ambient temperatures of 0-40°C (32-104F).

● APPROVALS

Certified to CSA standards 
Meets NYC requirements
Suitable for damp locations, indoor only.

● WARRANTY

Axis Lighting will warrant defective LEDs, boards, and drivers for 5 years from date of purchase. Warranty is valid if luminaire is installed and used according to specifications. If defective, Axis will send replacement boards or drivers at no cost along with detailed replacement instructions and instructions on how to return defective components to Axis.

Sketch 2

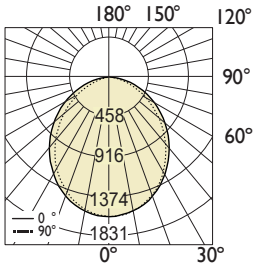
RING RECESSED

● PHOTOMETRIC DATA

SO Spotless lens - Down

Downlight
1100 lm/ft

PHOTOMETRIC CURVE



CANDELA DISTRIBUTION

Vertical Angle	Horizontal Angles				
	0	22.5	45	67.5	90
0	1830	1830	1830	1830	1830
5	1824	1817	1816	1809	1811
15	1739	1728	1720	1704	1704
25	1582	1557	1536	1515	1507
35	1355	1330	1304	1264	1254
45	1101	1073	1038	977	956
55	830	802	741	674	660
65	552	518	454	395	380
75	288	243	193	151	143
85	71	38	19	14	14
90	5	5	4	4	4

ZONAL LUMENS

Zone	Lumens
0	
0-10	172
10-20	486
20-30	712
30-40	819
40-50	802
50-60	673
60-70	466
70-80	227
80-90	44
90	

LUMINANCE DATA (cd/m²)

Vertical Angle	Horizontal Angles		
	0	45	90
45	25408	23959	22065
55	23612	21072	18775
65	21313	17524	14662
75	18139	12140	9006
85	13344	3503	2604

Total Lumens: 4401 lm (for 4ft)

Input Watts: 39.4 W

Efficacy: 112 lm/W

IES FILE: SK2R-FF-4'-1100-90-35-SO.ies

TESTED ACCORDING TO IES LM-79-2019

i All IES files are available for download at: www.axislighting.com