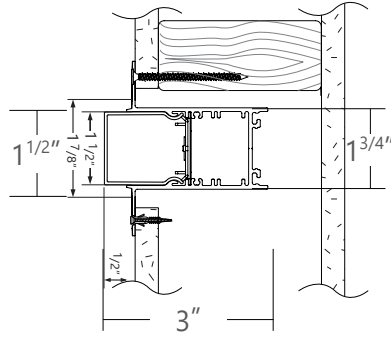


Project \_\_\_\_\_

Type \_\_\_\_\_

Notes \_\_\_\_\_



### PERFORMANCE PER LINEAR FOOT

LENS	NOMINAL LUMEN OUTPUT	INPUT WATTS*	EFFICACY
FL	1050 lm/ft	16.4 W/ft	64 lm/W
0.5M/0.5G	1100 lm/ft	16.4 W/ft	67 lm/W
2M / 2G	1200 lm/ft	16.4 W/ft	73 lm/W

Please consult factory for custom lumen output and wattage.



cULus Listed Type I.C.

### Ordering Guide

SCRV		NOM. LUMENS/FT		CRI		COLOR TEMP. (choose one)		SHIELDING		LINEAR LENGTH	
<b>SCRV</b>	Recessed Vertical RGBW	<b>1200</b>	1200 lm/ft	<b>90</b>	90 CRI	<b>CTRGBW30</b>	RGB+30K White - Color Tuning	<b>FL</b>	flush*	<b>4</b>	4'
						<b>CTRGBW35</b>	RGB+35K White - Color Tuning	<b>0.5M</b>	0.5" StepLens, lum. end cap*	<b>5</b>	5'
						<b>CTRGBW40</b>	RGB+40K White - Color Tuning	<b>0.5P</b>	0.5" StepLens, opaque end cap*	<b>8</b>	8'
								<b>2M</b>	2" StepLens, lum. end cap*	<b>12</b>	12'
								<b>2P</b>	2" StepLens, opaque end cap*	<b>S(L)</b>	System Run
								<b>+BL(#)</b>	Blank (for flush option only)		
										*Options use spotless lens	
										3" increments are available for lengths over 4 feet.	

FINISH		VOLTAGE		CT(DMX)		CIRCUITS		MOUNTING		OTHER (OPT.)		CUSTOM	
<b>W</b>	white	<b>120</b>	120 V	<b>CT(DMX)</b>	color tuning driver	<b>1</b>	1 circuit	<b>D</b>	drywall flangeless	<b>FW</b>	flex whip (6' std)*	<b>C</b>	custom
<b>BLK</b>	black	<b>277</b>	277 V			<b>+E(#)</b>	emergency circuit*	<b>DB</b>	slip-through bracket	<b>CP</b>	Chicago plenum		
<b>C</b>	custom	<b>UNV</b>	universal					<b>DS</b>	drywall spackle flange				
						* Specify quantity		See pages 5 and 6 for more details.		* Other lengths available; please consult factory.		Please specify	

### ● CONSTRUCTION

<b>Housing</b>	Extruded aluminum (0.080" nominal) up to
<b>End Cap</b>	Die cast aluminum
<b>Interior Brackets</b>	Die formed sheet steel (20 gauge)
<b>Lenses</b>	Extruded acrylic (0.060" nominal) - injection moulded
<b>Hanger</b>	Die cast aluminum
<b>Suspension</b>	Sliding aircraft cable along product length
<b>Cable Grips</b>	Quick connecting / release

### ● SYSTEM (S#)

SCULPT linear systems, with the use of a strong profile, allow for a nearly hair thin connection system of continuous runs. Lengths of 4', 8', 12' as well as custom lengths are available. Runs of SCULPT that are greater than 12' in length are designated as systems (S#). This means that the run is comprised of a combination of 4', 8' and/or 12' sections to be assembled on site using our joining system. For more information on systems and joining.

### ● WEIGHT

<b>Recessed Vertical 4 ft</b>	8 lbs / 3.6 kg
<b>Recessed Vertical 8 ft</b>	16 lbs / 7.3 kg
<b>Recessed Vertical 12 ft</b>	24 lbs / 10.9 kg

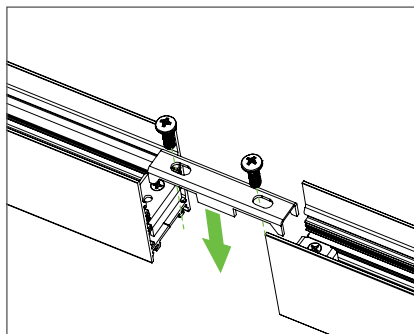
### ● FINISH

Powder coated and custom finishes are also available.

### ● JOINERS

In order to allow very long runs of SCULPT luminaires, Axis has developed an effective joining system. Special care has been taken to maximize the performance of the joiner for each SCULPT option.

**NOTE:** Mount each system segment individually. Do not assemble system prior to mounting.



**i** Allow a minimum of 6" between end of long runs and vertical wall

### ● ELECTRICAL

<b>Color Tuning CT driver</b>	DMX - Standard
<b>Emergency</b>	Integral emergency battery pack or emergency circuit optional.
<b>Input Voltage</b>	120V, 277V, UNV.
<b>Flex Whip</b>	Shipped in a separate box for contractors to install

**i** Incorporating these components may have limitations or affect the length of the luminaire. Please contact factory for more details.

### ● LED SYSTEM

<b>CRI</b>	90 color rendering index.
<b>CRI Color Tuning</b>	90 CRI for CTRGBW. <b>Note: RGB+W allows you to select the 'white point' (CCT) + CRI, delivering a more flexible and powerful white than standard RGBW.</b>
<b>CCT Color Tuning</b>	30 (3000K) 35 (3500K) 40 (4000K)


**CCT Axitune Systems** [Consult Axitune technical sheet for more information on color technology.](#)

**LED life** Minimum 50,000h with 85% of lumen maintenance in 25°C ambient temperature, in compliance with IES LM-80 testing measurements.

**Thermal Management** Aluminum housing acting as the heat sink to maximize life.

**Environment** Dry and damp rated for indoor use only in operating ambient temperatures of -20° - +40°C (-4 - +104F).

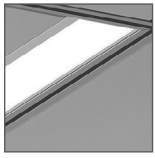
### ● APPROVALS

Certified to UL and CSA standards   
Suitable for damp locations.  
IC Rated (Insulated ceiling)

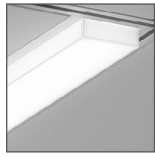
### ● WARRANTY

Limited 5-year warranty is available. Warranty is valid provided luminaires are installed and used according to specifications. For full terms and conditions, please consult warranty section at [axislighting.com](http://axislighting.com).

### ● SHIELDING - Frosted acrylic Spotless lens



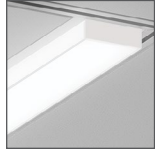
**FL** flush



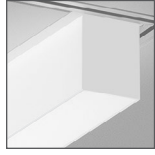
**0.5M** 0.5" StepLens, lum. end cap



**2M** 2" StepLens, lum. end cap



**0.5P** 0.5" StepLens, opaque end cap

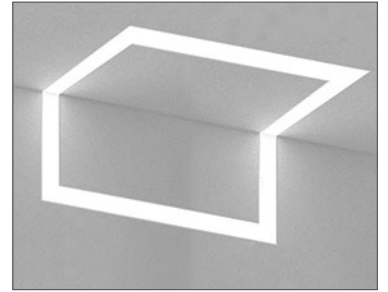


**2P** 2" StepLens, opaque end cap

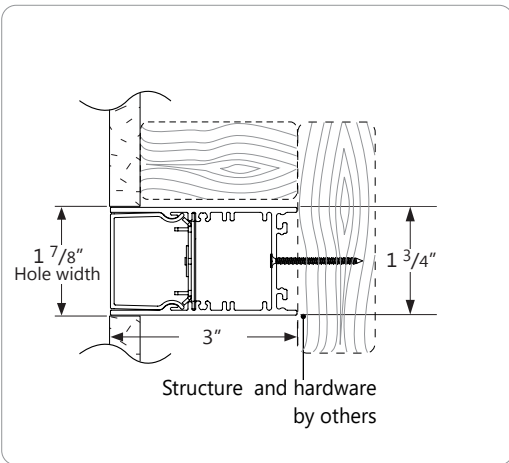


### ● CORNERS

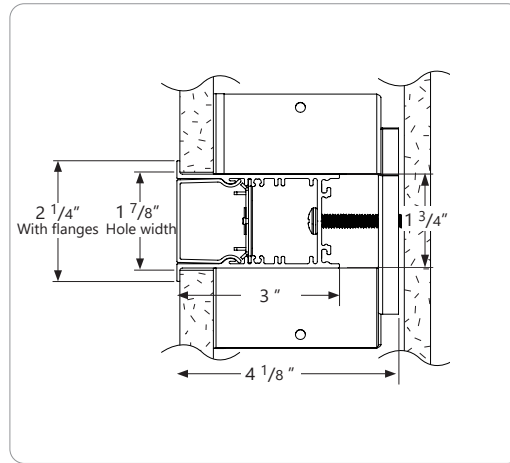
**i** For custom corner, please consult factory. Specifications sheets for all corners are available at: [www.axislighting.com](http://www.axislighting.com)



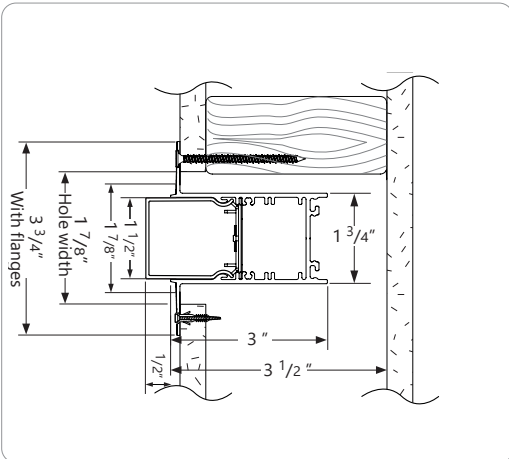
### ● DRYWALL CEILING MOUNTING OPTIONS - EX14005



**D** DRYWALL FLANGELESS



**DB** SLIP-THROUGH BRACKET



**DS** DRYWALL SPACKLE FLANGE

\* MOUNTING HARDWARE IS NOT PROVIDED

### ● OTHER MOUNTING OPTIONS

SCULPT LED is also available with surface, wall and pendant mounted options.

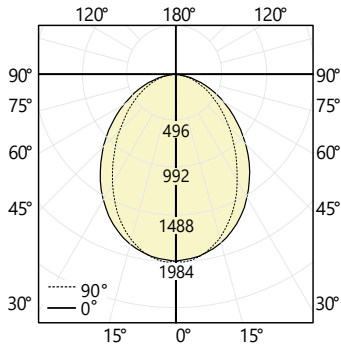
**i** Specification sheets and Installation sheets for all mounting types for SCULPT luminaires are available for download at [www.axislighting.com](http://www.axislighting.com)

## ● PHOTOMETRIC DATA

### 1050 lm/ft linear with Flush Lens



#### PHOTOMETRIC CURVE



**Lumen/ft down: 1050 lm/ft**  
**Total Lumens: 4202 lm (for 4ft)**  
**Input Watts: 65.41 W**  
**Efficacy: 64 lm/W**

IES FILE: SCxx-1050-90-CTRGBW30-FL-4.ies  
 TESTED ACCORDING TO IES LM-79-2008

#### CANDELA DISTRIBUTION

Vertical Angle	Horizontal Angles				
	0	22.5	45	67.5	90
0	1976	1976	1976	1976	1976
5	1954	1965	1958	1965	1971
15	1853	1859	1827	1803	1801
25	1651	1634	1573	1516	1500
35	1374	1344	1257	1172	1141
45	1066	1028	935	855	821
55	757	725	649	585	557
65	475	453	404	365	350
75	230	221	202	185	180
85	43	45	49	50	49
90	0	2	6	9	9

#### ZONAL LUMENS

Zone	Lumens
0	
0-10	186
10-20	514
20-30	723
30-40	786
40-50	726
50-60	586
60-70	406
70-80	217
80-90	57
90	

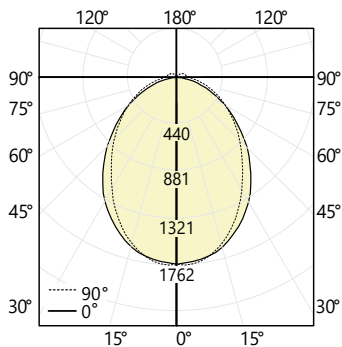
#### LUMINANCE DATA (cd/m<sup>2</sup>)

Vertical Angle	Horizontal Angles		
	0	45	90
45	31129	27306	23975
55	27267	23362	20063
65	23209	19737	17087
75	18352	16114	14324
85	10191	11520	11520

### 1100 lm/ft linear with 0.5M Lens



#### PHOTOMETRIC CURVE



#### CANDELA DISTRIBUTION

Vertical Angle	Horizontal Angles				
	0	22.5	45	67.5	90
0	1754	1754	1754	1754	1754
5	1735	1744	1740	1749	1754
15	1647	1662	1642	1621	1619
25	1462	1462	1421	1380	1366
35	1211	1214	1152	1104	1077
45	932	934	891	849	833
55	651	676	660	637	622
65	405	444	458	451	439
75	196	250	285	287	280
85	43	100	146	160	157
90	9	57	105	121	119
95	5	50	89	102	102
105	2	39	75	86	86
115	0	25	59	73	75
125	0	16	43	59	62
135	0	9	30	43	46
145	0	2	18	29	32
155	0	0	7	14	18
165	0	0	0	2	4
175	0	0	0	0	0
180	0	0	0	0	0

#### ZONAL LUMENS

Zone	Lumens
0	
0-10	165
10-20	461
20-30	653
30-40	721
40-50	687
50-60	584
60-70	441
70-80	282
80-90	143
90	
90-100	82
100-110	64
110-120	48
120-130	34
130-140	21
140-150	10
150-160	4

#### LUMINANCE DATA (cd/m<sup>2</sup>)

Vertical Angle	Horizontal Angles		
	0	45	90
45	26968	21357	18707
55	23105	18091	15685
65	19366	15233	13043
75	15091	12522	10538
85	9107	9885	8394

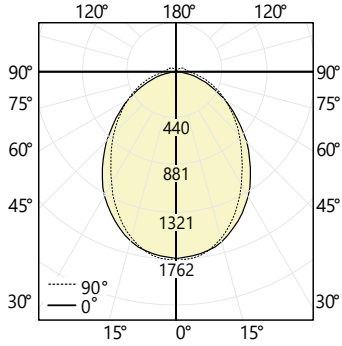
**i** All IES files are available for download at: [www.axislighting.com](http://www.axislighting.com)

## PHOTOMETRIC DATA

### 1100 lm/ft linear with 0.5P Lens



#### PHOTOMETRIC CURVE



**Lumen/ft down: 1100 lm/ft**  
**Total Lumens: 4399 lm (for 4ft)**  
**Input Watts: 65.41 W**  
**Efficacy: 67 lm/W**

IES FILE: SCxx-1100-90-CTRGBW30-0.5P-4.ies  
 TESTED ACCORDING TO IES LM-79-2008

#### CANDELA DISTRIBUTION

Vertical Angle	Horizontal Angles				
	0	22.5	45	67.5	90
0	1754	1754	1754	1754	1754
5	1735	1744	1740	1749	1754
15	1647	1662	1642	1621	1619
25	1462	1462	1421	1380	1366
35	1211	1214	1152	1104	1077
45	932	934	891	849	833
55	651	676	660	637	622
65	405	444	458	451	439
75	196	250	285	287	280
85	43	100	146	160	157
90	9	57	105	121	119
95	5	50	89	102	102
105	2	39	75	86	86
115	0	25	59	73	75
125	0	16	43	59	62
135	0	9	30	43	46
145	0	2	18	29	32
155	0	0	7	14	18
165	0	0	0	2	4
175	0	0	0	0	0
180	0	0	0	0	0

#### ZONAL LUMENS

Zone	Lumens
0	
0-10	165
10-20	461
20-30	653
30-40	721
40-50	687
50-60	584
60-70	441
70-80	282
80-90	143
90	
90-100	82
100-110	64
110-120	48
120-130	34
130-140	21
140-150	10
150-160	4

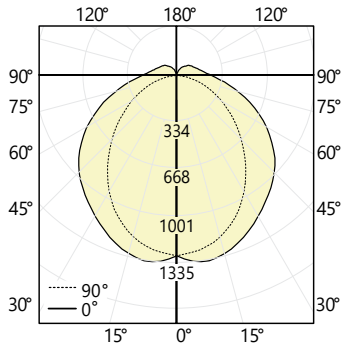
#### LUMINANCE DATA (cd/m<sup>2</sup>)

Vertical Angle	Horizontal Angles		
	0	45	90
45	26968	21357	18707
55	23105	18091	15685
65	19366	15233	13043
75	15091	12522	10538
85	9107	9885	8394

### 1200 lm/ft linear with 2M Lens



#### PHOTOMETRIC CURVE



**Lumen/ft down: 1200 lm/ft**  
**Total Lumens: 4793 lm (for 4ft)**  
**Input Watts: 65.41 W**  
**Efficacy: 73 lm/W**

IES FILE: SCxx-1200-90-CTRGBW30-2M-4.ies  
 TESTED ACCORDING TO IES LM-79-2008

#### CANDELA DISTRIBUTION

Vertical Angle	Horizontal Angles				
	0	22.5	45	67.5	90
0	1280	1280	1280	1280	1280
5	1261	1284	1299	1318	1326
15	1188	1250	1282	1299	1311
25	1048	1137	1178	1201	1214
35	859	970	1036	1080	1099
45	654	790	893	959	980
55	465	617	745	815	828
65	299	456	590	649	647
75	157	310	439	475	461
85	53	193	304	321	308
90	25	149	252	265	250
95	19	130	217	227	214
105	13	102	170	178	166
115	8	74	136	148	142
125	6	57	106	125	123
135	2	42	81	96	100
145	2	26	55	74	79
155	0	13	32	49	55
165	0	4	15	21	28
175	0	0	2	2	2
180	0	0	0	0	0

#### ZONAL LUMENS

Zone	Lumens
0	
0-10	124
10-20	358
20-30	535
30-40	636
40-50	668
50-60	632
60-70	537
70-80	406
80-90	275
90	
90-100	190
100-110	143
110-120	108
120-130	79
130-140	53
140-150	31
150-160	14
160-170	4

#### LUMINANCE DATA (cd/m<sup>2</sup>)

Vertical Angle	Horizontal Angles		
	0	45	90
45	3724	282	227
55	2427	204	166
65	1481	147	117
75	763	102	79
85	260	69	51

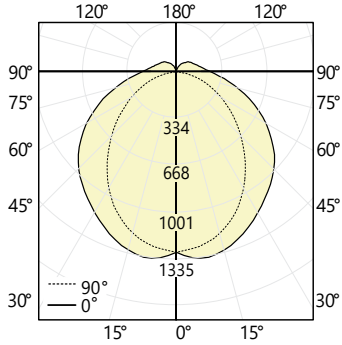
All IES files are available for download at: [www.axislighting.com](http://www.axislighting.com)

### ● PHOTOMETRIC DATA

1200 lm/ft linear with 2P Lens



#### PHOTOMETRIC CURVE



**Lumen/ft down: 1200 lm/ft**  
**Total Lumens: 4793 lm (for 4ft)**  
**Input Watts: 65.41 W**  
**Efficacy: 73 lm/W**

IES FILE: SCxx-1200-90-CTRGBW30-2P-4.ies  
 TESTED ACCORDING TO IES LM-79-2008

#### CANDELA DISTRIBUTION

Vertical Angle	Horizontal Angles				
	0	22.5	45	67.5	90
0	1280	1280	1280	1280	1280
5	1261	1284	1299	1318	1326
15	1188	1250	1282	1299	1311
25	1048	1137	1178	1201	1214
35	859	970	1036	1080	1099
45	654	790	893	959	980
55	465	617	745	815	828
65	299	456	590	649	647
75	157	310	439	475	461
85	53	193	304	321	308
90	25	149	252	265	250
95	19	130	217	227	214
105	13	102	170	178	166
115	8	74	136	148	142
125	6	57	106	125	123
135	2	42	81	96	100
145	2	26	55	74	79
155	0	13	32	49	55
165	0	4	15	21	28
175	0	0	2	2	2
180	0	0	0	0	0

#### ZONAL LUMENS

Zone	Lumens
0	
0-10	124
10-20	358
20-30	535
30-40	636
40-50	668
50-60	632
60-70	537
70-80	406
80-90	275
90	
90-100	190
100-110	143
110-120	108
120-130	79
130-140	53
140-150	31
150-160	14
160-170	4

#### LUMINANCE DATA (cd/m<sup>2</sup>)

Vertical Angle	Horizontal Angles		
	0	45	90
45	3724	282	227
55	2427	204	166
65	1481	147	117
75	763	102	79
85	260	69	51

**i** All IES files are available for download at: [www.axislighting.com](http://www.axislighting.com)