

Project \_\_\_\_\_

Type \_\_\_\_\_

Notes \_\_\_\_\_



### ● PERFORMANCE PER LINEAR FOOT AT 3500K, 80CRI

FIXTURE FINISH	LOUVER FINISH	NOMINAL LUMEN OUTPUT	INPUT WATTS*	EFFICACY
White	Matt white	1000 lm/ft	12.6 W/ft	80 lm/W
	Matt black	850 lm/ft	12.6 W/ft	67 lm/W
	Chrome black	750 lm/ft	12.9 W/ft	58 lm/W
Black	Matt white	900 lm/ft	12.2 W/ft	75 lm/W
	Matt black	700 lm/ft	12.5 W/ft	56 lm/W
	Chrome black	750 lm/ft	12.7 W/ft	59 lm/W

Please consult factory for other lumen output and wattage.

### FINISHES



**MW**  
matte  
white



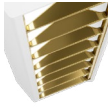
**MB**  
matte  
black



**MS**  
matte  
silver



**MRG**  
matte  
rose gold



**CG**  
chrome  
gold



**CB**  
chrome  
black



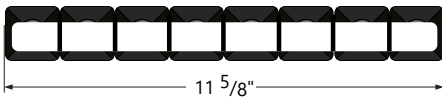
**CS**  
chrome  
silver



**CRG**  
chrome  
rose gold

### LENGTH INCREMENT

1 foot nominal [11 5/8" (295mm)] length increments available

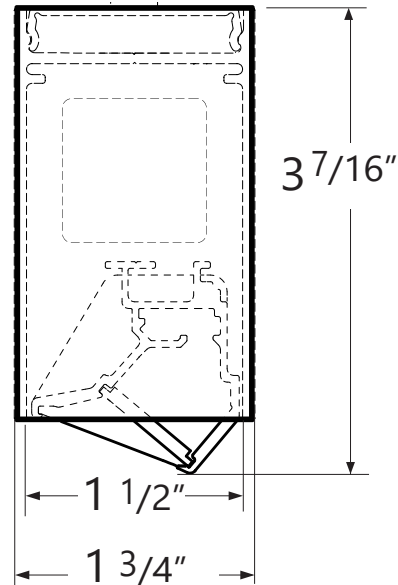


### DISTRIBUTION



**ww**  
Wall wash, asymmetric

### ● DIMENSIONS



**Code example:** SCRML-S(20')-WW(8, 500, MB)+BL(12 3/8")-80-35-BLK-UNV-DP-2-TB9

**Project** \_\_\_\_\_

**Type** \_\_\_\_\_

**Notes** \_\_\_\_\_

**A CONFIGURATION DRAWING IS REQUIRED.**  
 Factory is available for assistance. See page 3 for example of how to specify.

### Ordering Guide

PRODUCT ID	TOTAL LENGTH	SHEILDING OPTIONS - DIRECT				
		Wall Wash Direct - +WW(Length, Lumen, Louver Finish)			BLANK DIRECT - LENGTH	
		LENGTH	LUMEN OUTPUT	LOUVER FINISH		
<b>SCRML</b> Sculpt Recessed Wall Wash	# 2 ft - 12 ft continuous length (3" nominal increments) <b>S(L)</b> System Run	<b>L(#)</b> specify length - 1 foot nominal increments	<b>200</b> 200 lm/ft min <b>1000</b> 1000 lm/ft max <small>Maximum output will vary depending on louver and fixture finish. Please see performance table.</small>	<b>MB</b> matte black <b>MW</b> matte white <b>MS</b> matte silver <b>MRG</b> matte rose gold <b>CG</b> chrome gold <b>CB</b> chrome black <b>CRG</b> chrome rose gold <b>CS</b> chrome silver	<b>+BL (length)</b> blank	
SCULPT accommodates any length. Metric lengths also available, please consult factory.		See more details on page 2.				

CRI	COLOR TEMP.	FINISH	VOLTAGE	DRIVER	CIRCUITS
<b>80</b> 80 CRI	<b>27</b> 2700K	<b>AP</b> aluminum paint	<b>120</b> 120 V	<b>DP</b> dimming (0-10V) 1%	<b>1</b> 1 circuit
<b>90</b> 90 CRI	<b>30</b> 3000K	<b>W</b> white	<b>277</b> 277 V	<b>LT</b> lutron	<b>2</b> 2 circuits
	<b>35</b> 3500K	<b>BLK</b> black	<b>347</b> 347 V	<b>BI</b> bi-level dimming**	<b>+E(#)</b> emergency section*
	<b>40</b> 4000K	<b>C</b> custom	<b>UNV</b> universal	<b>O(#)</b> other**	
			<b>DC</b> low voltage*	<b>POE(#)</b> POE drivers*	
			* Only available with POE drivers.	*See page 4 to specify system **Please consult factory; see page 4	Minimum 3 ft length. *Specify quantity

MOUNTING		BATTERY (OPT.)	OTHER (OPT.)	IC CONTROL (OPT.)	CUSTOM
<b>MFTB9</b> MiniFlange t-bar 9/16" *	<b>ST</b> screw slot t-bar	<b>B(#)</b> battery pack	<b>FW</b> flex whip (6' std)*	<b>DS(#)</b> daylight sensor*	<b>C</b> custom
<b>MFTB15</b> MiniFlange t-bar 15/16" *	<b>TG9</b> tegular 9/16"	4' sections	<b>CP</b> Chicago plenum	<b>OS(#)</b> occupancy sensor*	
<b>MFST</b> MiniFlange screw slot t-bar *	<b>TG15</b> tegular 15/16"			<b>DOS(#)</b> daylight & occupancy sensor*	
<b>MFTG9</b> MiniFlange 9/16" t-tegular *	<b>DF</b> drywall flange			<b>WC(#)</b> wireless control dimming	
<b>MFTG15</b> MiniFlange 15/16" t-tegular *	<b>D</b> drywall flangeless				
<b>TB9</b> t-bar 9/16"	<b>DB</b> slip-through bracket				
<b>TB15</b> t-bar 15/16"	<b>DS</b> drywall spackle flange				
* Must select from these options when ordering kits. See pages 5 and 6 for more details.		Not available with 347V. Please consult factory	* Other lengths available; please consult factory.	* For flush option only; Please consult factory. Specify quantity. Requires 7" blank. <a href="#">See integrated controls guide for more details.</a>	Please specify

### ● CONSTRUCTION

<b>Housing</b>	Extruded aluminum (0.080" nominal) up to
<b>End Cap</b>	Die cast aluminum
<b>Interior Brackets</b>	Die formed sheet steel (20 gauge)
<b>Lenses</b>	Extruded acrylic (0.060" nominal) - injection moulded
<b>Mixing Lenses</b>	Acrylic
<b>Heat Sink</b>	Extruded aluminum

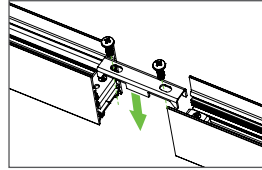
### ● SYSTEM (S#)

SCULPT linear systems, with the use of a strong profile, allow for a nearly hair thin connection system of continuous runs. Lengths of 4', 8', 12' as well as custom lengths are available. Runs of SCULPT that are greater than 12' in length are designated as systems (S#). This means that the run is comprised of a combination of 4', 8' and/or 12' sections to be assembled on site using our joining system. For more information on systems and joining.

### ● JOINERS

In order to allow very long runs of SCULPT luminaires, Axis has developed an effective joining system. Special care has been taken to maximize the performance of the joiner for each SCULPT option.

**NOTE:** Mount each system segment individually.  
Do not assemble system prior to mounting.



**i** Allow a minimum of 6" between end of long runs and vertical wall

### ● FINISH

Aluminum paint, powder coated and custom finishes are also available.

### ● WEIGHT

<b>4 ft</b>	8 lbs / 3.6 kg
<b>8 ft</b>	16 lbs / 7.3 kg
<b>12 ft</b>	24 lbs / 10.9 kg

### ● OTHER MOUNTING OPTIONS

**i** Specification sheets and installation sheets for all mounting for SCULPT luminaires are available for download at [www.axislighting.com](http://www.axislighting.com)

### ● LED SYSTEM


<b>CRI</b>	Minimum 80 or 90 color rendering index.
<b>CCT Single Color</b>	Choice of 2700K, 3000K, 3500K and 4000K color temperature with a great color consistency (within 3-step MacAdam ellipse). Both within fixture and fixture to fixture.
<b>LED life</b>	Minimum 50,000h with 85% of lumen maintenance in 25°C ambient temperature, in compliance with IES LM-80 testing measurements.
<b>Thermal Management</b>	Aluminum housing acting as the heat sink to maximize life.
<b>Environment</b>	Dry and damp rated for indoor use only in operating ambient temperatures of 0-40°C (32-104F).

### ● ELECTRICAL

<b>Lutron driver</b>	LDE1 - Hi-lume 1% EcoSystem with Soft-on, Fade-to-Black
<b>Other drivers**</b>	DALI - Digital Addressable Lighting Interface DMX - Digital Multiplex Xitanium SR - For wireless sensor
<b>Power over Ethernet POE drivers*</b>	MOLEX IGOR SMARTENGINE O - Other (Consult factory)
<b>Emergency</b>	Integral emergency battery pack or emergency circuit optional.
<b>Input Voltage</b>	120V, 277V, 347V, UNV, DC.

**i** Incorporating these components may have limitations or affect the length of the luminaire. Please contact factory for more details.

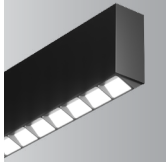
### ● APPROVALS

Certified to UL and CSA standards  Suitable for damp locations. Indoor use only.

### ● WARRANTY

Limited 5-year warranty is available. Warranty is valid provided luminaires are installed and used according to specifications. For full terms and conditions, please consult warranty section at [axislighting.com](http://axislighting.com).

### ● WALL WASH



One foot nominal length increments available.  
For best results mounting distance of 3ft from the wall is recommended.

**WW**

Wallwash

### ● WALL WASH LOUVER FINISHES



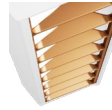
**MW**  
matte  
white



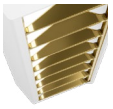
**MB**  
matte  
black



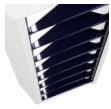
**MS**  
matte  
silver



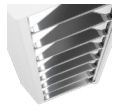
**MRG**  
matte  
rose gold



**CG**  
chrome  
gold



**CB**  
chrome  
black

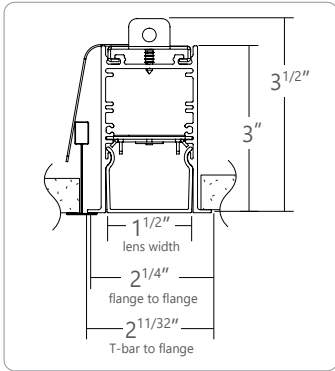


**CS**  
chrome  
silver

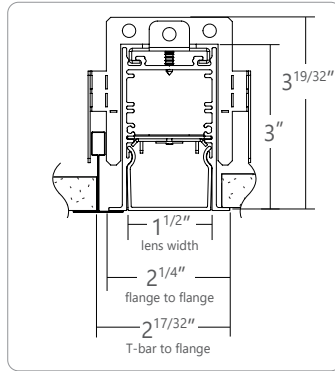


**CRG**  
chrome  
rose gold

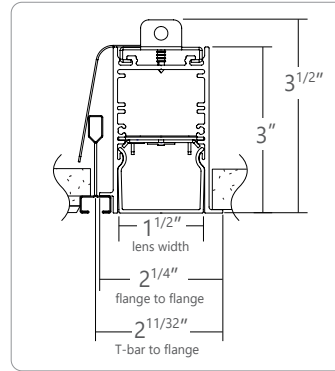
### WITH INTEGRATED MINIFLANGE



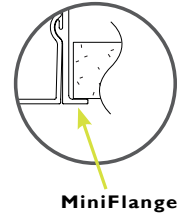
**MFTB9 MiniFlange 9/16\"**



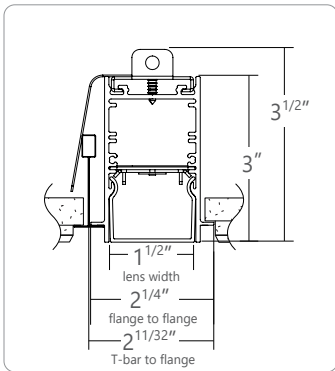
**MFTB15 MiniFlange 15/16\"**



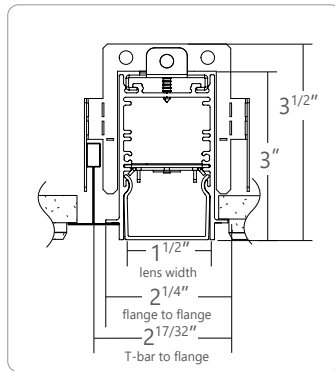
**MFST MiniFlange SCREW SLOT T-BAR**



**MiniFlange**



**MFTG9 MiniFlange 9/16\"**

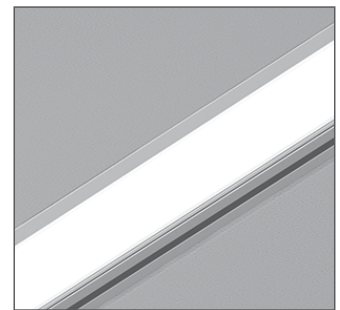


**MFTG15 MiniFlange 15/16\"**

### Integrated MiniFlange (patent pending)

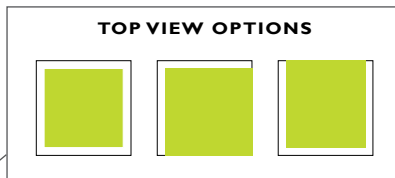
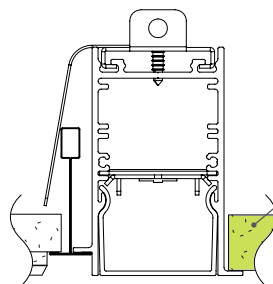
When installed along T-bars in acoustic ceilings, the Integrated MiniFlange supports adjacent ceiling tiles. At the same time, it **eliminates the need for a second T-bar**. This feature comes standard on Sculpt Recessed.

- Fewer materials needed and less labor.
- Conceals ceiling tile cutline for a cleaner appearance.
- Simplifies drawings and trade coordination.
- Available in different T-bar profiles.

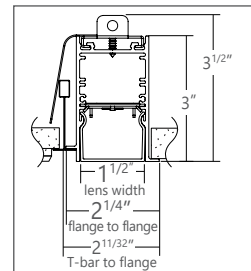


**With Integrated MiniFlange**

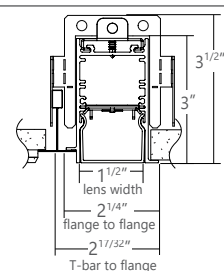
### For 2x2 Patterns only



**Note:** Mini-Flange is designed to allow **flush tiles** to sit at the same height as the tegular tiles. No notching required when cutting the center tile that will fit into the 2X2.



**MFTG9 MiniFlange 9/16\"**

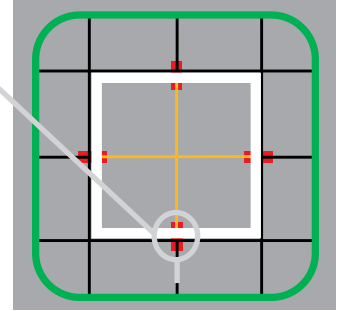


**MFTG15 MiniFlange 15/16\"**

### The T-Aligner™ (Patent Number: 9416535 B1)

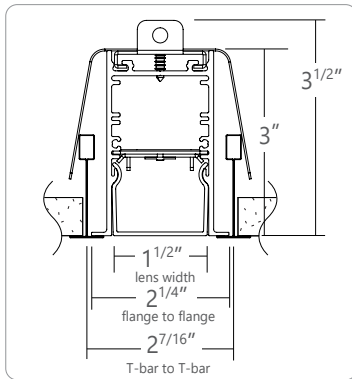
- Foolproof solution for a perfectly aligned ceiling grid.
- Connects cut T-bars on either side of a Sculpt luminaire or ceiling kit.
- No need to specify – Comes standard with Sculpt Recessed.
- Compatible with all T-bar profiles including slot and Tegular (9/16" and 15/16").

T-Aligners are installed where T-bars intersect the luminaire or ceiling kit.

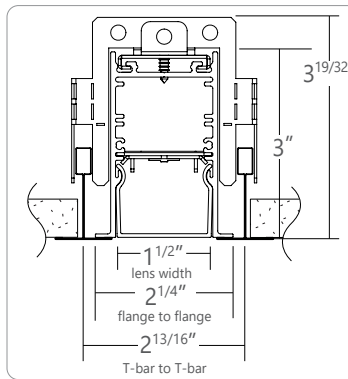


View from above ceiling  
(for MiniFlange Only)

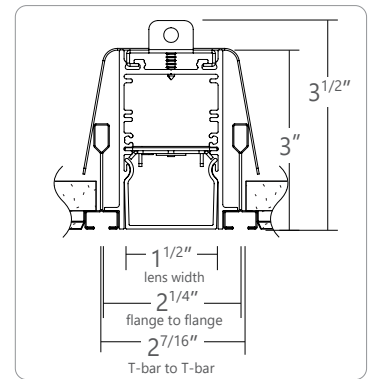
### STANDARD T-BAR CEILING MOUNTING OPTIONS



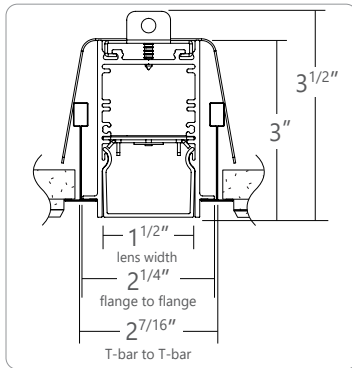
**TB9 9/16" T-BAR**



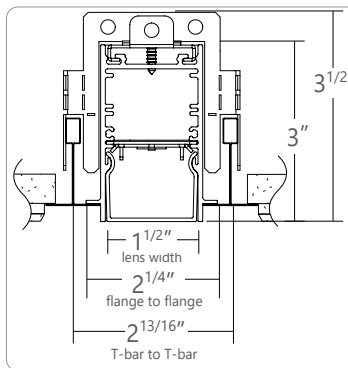
**TB15 15/16" T-BAR**



**ST SCREW SLOT T-BAR**

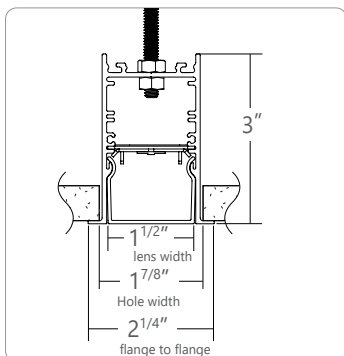


**TG9 9/16" T-TEGULAR**

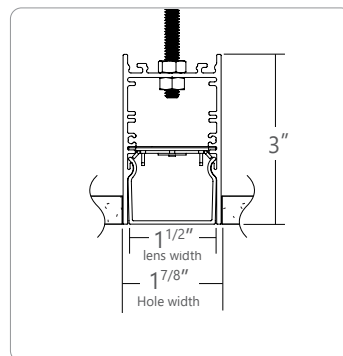


**TG15 15/16" T-TEGULAR**

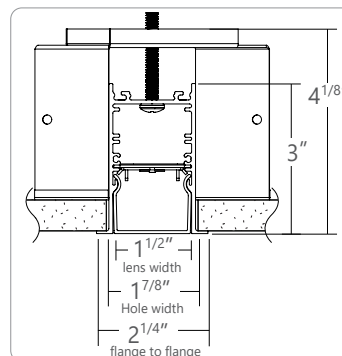
### DRYWALL CEILING MOUNTING OPTIONS



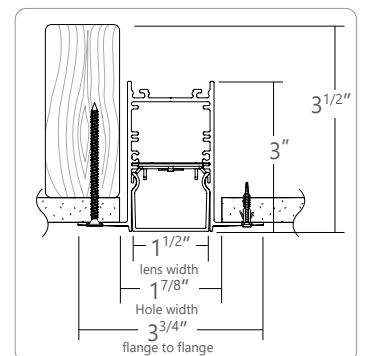
**DF VISIBLE FLANGES WITH 1/4-20 STUD MOUNTING**



**D FLANGELESS WITH 1/4-20 STUD MOUNTING**



**DB SLIP-THROUGH BRACKET**

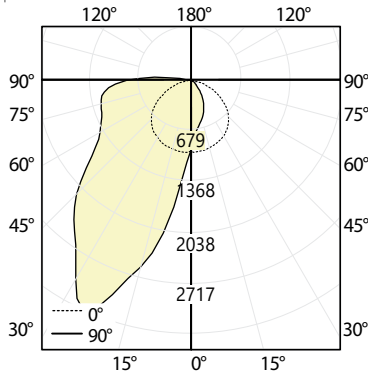


**DS DRYWALL SPACKLE FLANGE**

### PHOTOMETRIC DATA

#### 1000 lm/ft Matte White Louver, White Extrusion

##### PHOTOMETRIC CURVE



**Lumen/ft down: 1000 lm/ft**  
**Total Lumens: 3994 lm (for 4ft)**  
**Input Watts: 50.2 W**  
**Efficacy: 80 lm/W**

80 CRI shown. For 90 CRI, divide wattage by 0.8 and multiply efficacy by 0.8.

IES FILE: MKL-WW-4-FL-1000-MW-80-35-W.ies

TESTED ACCORDING TO IES LM-79-2019

##### CANDELA DISTRIBUTION

Vertical Angle	Horizontal Angles				
	0	22.5	45	67.5	90
0	739	739	739	739	739
5	753	669	618	585	570
15	737	548	475	441	434
25	704	456	380	340	331
35	652	368	282	234	221
45	570	276	188	138	122
55	446	183	105	77	71
65	292	102	59	47	45
75	148	45	12	6	6
85	39	5	7	7	8
90	4	6	8	8	9
95	5	7	9	10	10
105	6	8	10	12	12
115	7	10	12	14	15
125	9	11	13	16	17

##### ZONAL LUMENS

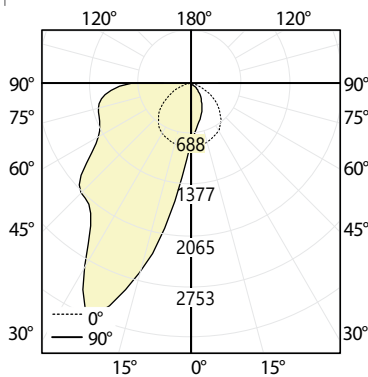
Zone	Lumens
0	79
0-10	295
10-20	684
20-30	671
30-40	563
40-50	435
50-60	342
60-70	247
70-80	92
80-90	9
90-100	9
100-110	7
110-120	7

##### LUMINANCE DATA (cd/m²)

Vertical Angle	Horizontal Angles		
	0	45	90
45	42671	14062	9116
55	41134	9672	6598
65	36608	7388	5582
75	30183	2474	1163
85	23689	4114	4608

#### 900 lm/ft Matte White Louver, Black Extrusion

##### PHOTOMETRIC CURVE



**Lumen/ft down: 900 lm/ft**  
**Total Lumens: 3668 lm (for 4ft)**  
**Input Watts: 48.6 W**  
**Efficacy: 75 lm/W**

80 CRI shown. For 90 CRI, divide wattage by 0.8 and multiply efficacy by 0.8.

IES FILE: MKL-WW-4-FL-900-MW-80-35-BLK.ies

TESTED ACCORDING TO IES LM-79-2019

##### CANDELA DISTRIBUTION

Vertical Angle	Horizontal Angles				
	0	22.5	45	67.5	90
0	666	666	666	666	666
5	696	627	578	575	547
15	673	511	442	416	406
25	632	413	341	317	306
35	572	321	247	215	206
45	463	218	157	131	126
55	334	130	70	67	69
65	192	47	18	7	5
75	75	4	3	4	4
85	3	3	5	5	6
90	2	4	5	6	7

##### ZONAL LUMENS

Zone	Lumens
0	75
0-10	291
10-20	646
20-30	621
30-40	520
40-50	399
50-60	328
60-70	225
70-80	19
80-90	19
90-100	19
100-110	19
110-120	19

##### LUMINANCE DATA (cd/m²)

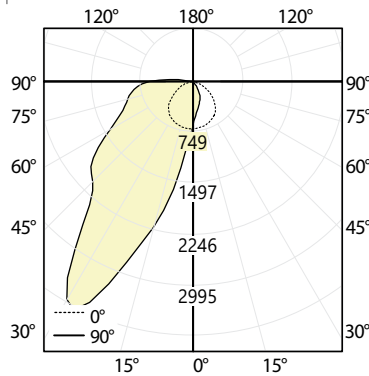
Vertical Angle	Horizontal Angles		
	0	45	90
45	34699	11721	9447
55	30823	6437	6365
65	24075	2201	656
75	15401	668	890
85	1813	2767	3485

**i** All IES files are available for download at: [www.axislighting.com](http://www.axislighting.com)

### ● PHOTOMETRIC DATA

#### 850 lm/ft Matte Black Louver, White Extrusion

##### PHOTOMETRIC CURVE



**Lumen/ft down: 850 lm/ft**  
**Total Lumens: 3393 lm (for 4ft)**  
**Input Watts: 50.5 W**  
**Efficacy: 67 lm/W**

80 CRI shown. For 90 CRI, divide wattage by 0.8 and multiply efficacy by 0.8.

IES FILE: MKL-WW-4-FL-850-MB-80-35-W.ies

TESTED ACCORDING TO IES LM-79-2019

##### CANDELA DISTRIBUTION

Vertical Angle	Horizontal Angles				
	0	22.5	45	67.5	90
0	537	537	537	537	537
5	547	480	437	411	404
15	530	378	319	293	289
25	500	297	236	210	207
35	453	224	161	128	122
45	369	145	89	56	47
55	266	81	28	17	16
65	153	25	8	5	5
75	67	4	4	4	5
85	4	4	6	6	7
90	3	5	7	7	8
95	4	6	8	9	9
105	5	7	9	11	12
115	6	8	11	13	15
125	7	9	12	15	16

##### ZONAL LUMENS

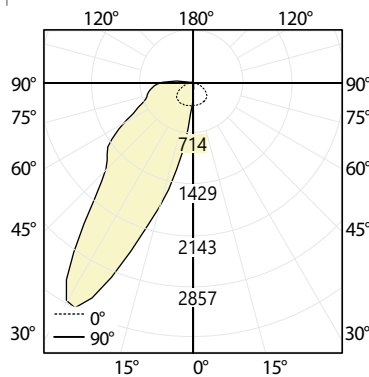
Zone	Lumens
0	
0-10	58
10-20	231
20-30	491
30-40	663
40-50	611
50-60	496
60-70	348
70-80	248
80-90	162
90-100	58
100-110	7
110-120	6
120-130	7

##### LUMINANCE DATA (cd/m<sup>2</sup>)

Vertical Angle	Horizontal Angles		
	0	45	90
45	27605	6693	3545
55	24590	2610	1484
65	19152	992	595
75	13631	836	970
85	2715	3428	3955

#### 700 lm/ft Matte Black Louver, Black Extrusion

##### PHOTOMETRIC CURVE



**Lumen/ft down: 700 lm/ft**  
**Total Lumens: 2793 lm (for 4ft)**  
**Input Watts: 49.8 W**  
**Efficacy: 56 lm/W**

80 CRI shown. For 90 CRI, divide wattage by 0.8 and multiply efficacy by 0.8.

IES FILE: MKL-WW-4-FL-700-MB-80-35-BLK.ies

TESTED ACCORDING TO IES LM-79-2019

##### CANDELA DISTRIBUTION

Vertical Angle	Horizontal Angles				
	0	22.5	45	67.5	90
0	249	249	249	249	249
5	260	195	157	128	122
15	258	117	73	56	53
25	256	79	47	38	36
35	249	59	33	24	22
45	231	45	19	9	6
55	188	25	4	3	3
65	122	7	3	3	3
75	48	3	3	3	3
85	3	4	5	5	5
90	3	4	6	6	6
95	3	5	7	8	7
105	4	6	8	10	10
115	5	7	10	12	13
125	6	8	10	13	14

##### ZONAL LUMENS

Zone	Lumens
0	
0-10	32
10-20	160
20-30	402
30-40	588
40-50	539
50-60	433
60-70	284
70-80	178
80-90	115
90-100	39
100-110	5
110-120	5
120-130	5

##### LUMINANCE DATA (cd/m<sup>2</sup>)

Vertical Angle	Horizontal Angles		
	0	45	90
45	17291	1422	438
55	17333	411	320
65	15315	366	397
75	9745	676	706
85	1975	2950	2982

**i** All IES files are available for download at: [www.axislighting.com](http://www.axislighting.com)