

Project _____
 Type _____
 Notes _____



● **BAFFLE OPTIONS**

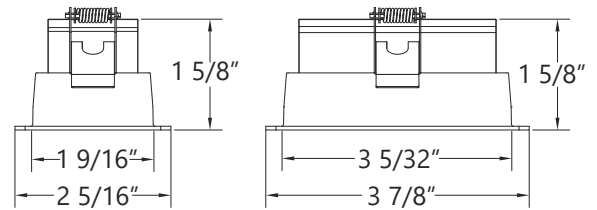


LF
Lofted baffle



CN
Conical baffle

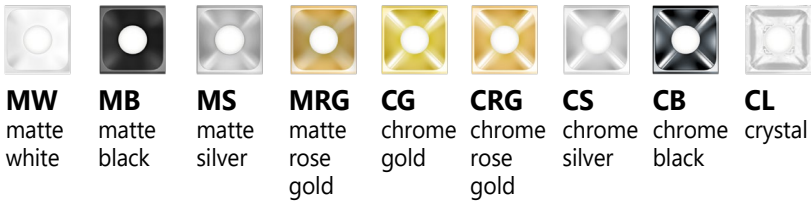
● **DIMENSIONS**



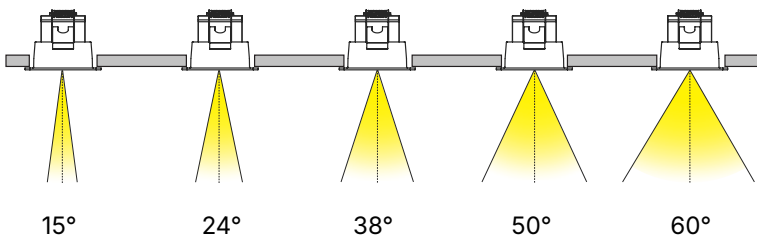
1x1, 1x2, 1x4,
1x8 size shown

2x2 size shown

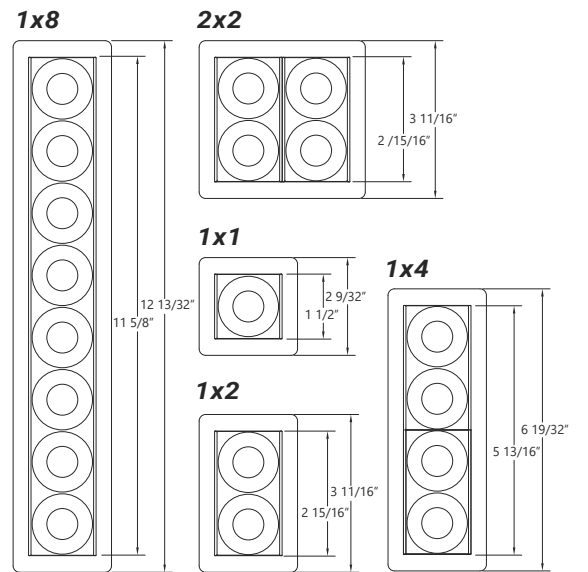
● **FINISHES**



● **BEAM SPREADS**



● **SIZES**



Ordering Guide (Fixture)

PXLPR		MODULE SIZE		MikroLite - MKL(Baffle Type, Cell Optics, Beam Angle, Baffle Finish)			
PRODUCT ID				BAFFLE TYPE	CELL OPTICS	BEAM ANGLE	BAFFLE FINISH
PXLPR	Pixel+ Recessed	1X1	1x1 cells*	LF	SF	D15	MB
		1X2	1x2 cells*	CN	SR	D24	MW
		1X4	1x4 cells			D38	MS
		1X8	1x8 cells			D50	MRG
		2X2	2x2 cells			D60	CG
							CB
							CRG
							CS
							CL

*Remote driver only. See page 2 for min/max fixtures per driver. Minimum 4 cells per driver.

See more details on page 4.

CRI	COLOR TEMP	FINISH	VOLTAGE	DRIVER	LUMEN PACKAGE (Integral only)			
90	High Efficacy	W	120	DP	L	M	H	
	27 2700K	white	120 V	dimming (0-10V) 1% - integral*	<i>Nominal Lumen Package Details</i>			
	30 3000K	BLK black	277 V	DALI2 DALI 2.0 driver - integral*	1x1	150 lm	225 lm	300 lm
	35 3500K	C custom	UNV universal		1x2	300 lm	450 lm	600 lm
	40 4000K				1X4	600 lm	900 lm	1200 lm
					1X8	1200 lm	1800 lm	2400 lm
					2X2	600 lm	900 lm	1200 lm
				RD remote driver**	Skip selection if specifying Remote driver box below.			

* Not available with 1x1, 1x2 modules.
** Specify on a separate line below.

CIRCUITS	MOUNTING	BATTERY (OPT.)	CUSTOM (OPT.)
1 1 circuit EM emergency	TF t-grid flange DSR drywall spackle remodeler DFR drywall flange remodeler DFN drywall flange new construction	BR remote battery	C custom
	For Chicago Plenum please consult factory.		Please specify

Remote Driver Box Ordering Guide

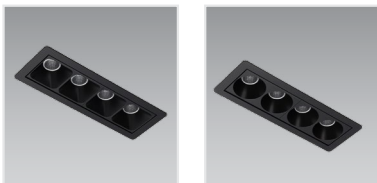
PRODUCT ID	MODULE QTY	MODULE SIZE	VOLTAGE	DRIVER	LUMEN PACKAGE (Remote)			MOUNTING	
RDB Remote driver box	# specify qty.	1X1	120	DP	L	M	H	TF	
		1X2	120 V	dimming (0-10V) 1%	<i>Nominal Lumen Package Details</i>			DSR	
		1X4	277 V	DALI2 DALI 2.0 driver	1x1	150 lm	225 lm	300 lm	remodeller
		1X8	UNV universal	O(#) Other drivers*	1x2	300 lm	450 lm	600 lm	DFR
		2X2	DC low voltage*	POE(#) POE drivers*	1X4	600 lm	900 lm	1200 lm	drywall flange remodeler
					1X8	1200 lm	1800 lm	2400 lm	DFN
					2X2	600 lm	900 lm	1200 lm	drywall flange new construction

* Only available with remote POE drivers. Consult factory.
* Specify system. See page 2 for all available remote driver options. See page 2 for min/max fixtures per driver.

● CONSTRUCTION

Housing	Extruded Aluminum for heat dissipation
Retention Springs	0.060" dia. Spring steel nickel plated
Mounting bars	Galvanized steel (adjustable for 16" to 24" center to center joist spacing)
Driver box	Extruded aluminum
Power cable	10ft feet of CL3P 22 AWG plenum rated cable standard.
MikroLite	High density composite Polycarbonate

● PIXEL+ BAFFLE TYPE



LF
Lofted baffle

CN
Conical baffle

● PIXEL+ BAFFLE FINISHES



MW matte white

MB matte black

MS matte silver

MRG matte rose gold

CG chrome gold

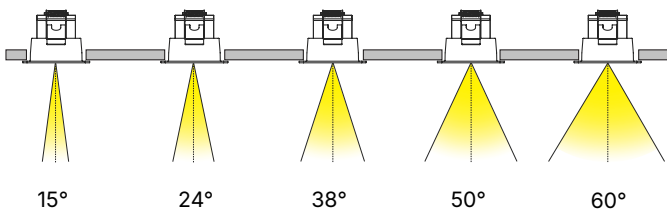
CL crystal

CB chrome black

CS chrome silver

CRG chrome rose gold

● PIXEL+ BEAM SPREADS



● ELECTRICAL

Remote drivers (RD)

DALI2 DMX Digital Addressable Lighting Interface Digital Multiplex

MOLEX O (consult factory for more information) UL2108 certified for integral or remote driver

MOLEX Power over Ethernet POE O - Other (Consult factory)

Input Voltage 120V, 277V, UNV, DC.

MODULE QUANTITIES PER DRIVER SELECTION

	DP 0-10V		DALI		DMX		POE	
	Min	Max	Min	Max	Min	Max	Min	Max
1x1	4	8	4	8	1	11	Consult Factory	
1x2	2	4	2	4	1	6		
1x4	1	2	1	2	1	3		
1x8	1	1	1	1	1	1		
2x2	1	2	1	2	1	3		

● LED SYSTEM

LED optical System	Reflector or TIR optic for high efficacy light control with deep cell depth for reduced glare
CRI	High efficacy 90 color rendering index
CCT	Choice of 2700K, 3000K, 3500K and 4000K color temperature with a great color consistency (within 3.0-step MacAdam ellipse).
LED life	Projected 50,000h with 85% of lumen maintenance in 25°C ambient temperature, in compliance with IES LM-80 testing measurements.
Thermal Management	Aluminum housing acting as the heat sink to maximize life. Extruded aluminum downlight heat sink

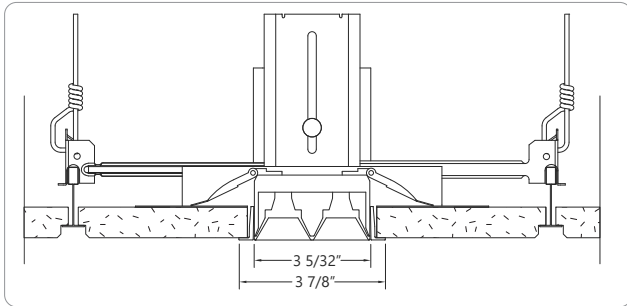
● WEIGHT

Pixel+ - 1x1 cell	0.2 lbs / 0.09 kg
Pixel+ - 1x2 cell	0.3 lbs / 0.14 kg
Pixel+ - 1x4 cell	0.5 lbs / 0.23 kg
Pixel+ - 1x8 cell	1.0 lbs / 0.45 kg
Pixel+ - 2x2 cell	0.6 lbs / 0.27 kg

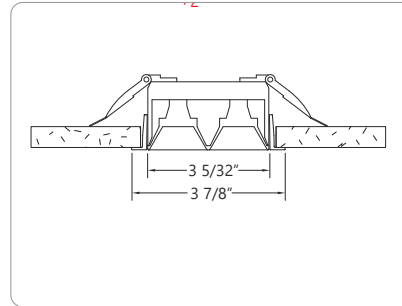
● ECO FRIENDLY PROGRAM

Pixel meets the Living Building Challenge, is Halogen free and includes PVC free wiring in compliance with requirements. Please contact Axis for supporting documentation.

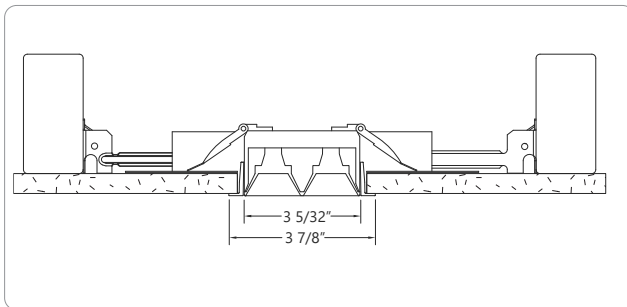
● FRAME TYPES



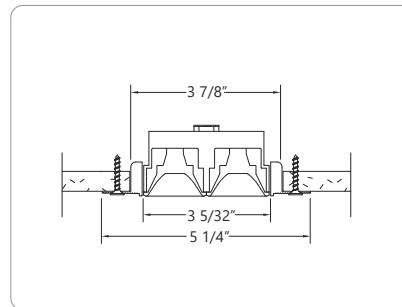
TF T-grid flange shown



DFR Drywall flange remodeler shown



DFN Drywall flange new construction shown



DSR Drywall spackle flange shown

● APPROVALS

Certified to UL and CSA standards
Suitable for damp locations.
IC rated.



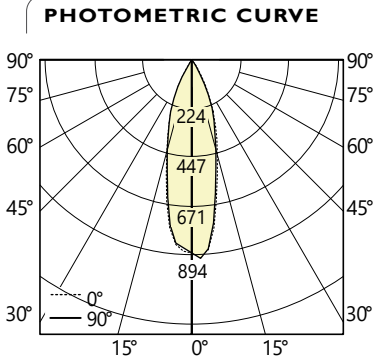
● WARRANTY

Limited 5-year warranty is available. Warranty is valid provided luminaires are installed and used according to specifications. For full terms and conditions, please consult warranty section at axislighting.com.

i Specification sheets and installation sheets for all mountings for Pixel luminaires are available for download at www.axislighting.com

● PHOTOMETRIC DATA

Pixel - 1x1, 15° beam, CN baffle, soft
300 lm/unit



Total Lumens: 300 lm (1x1)
Input Watts: 2.86 W
Efficacy: 105 lm/W

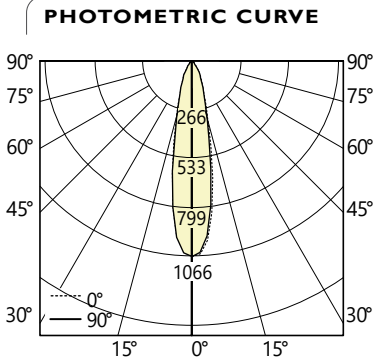
IES FILE: PXLPR-1X1-CN-SF-D15-MW-90-35-300.ies
TESTED ACCORDING TO IES LM-79-2019

Vertical Angle	Horizontal Angles				
	0	22.5	45	67.5	90
0	868	868	868	868	868
5	856	838	839	832	852
15	439	428	423	408	414
25	191	180	179	170	173
35	27	24	24	21	21
45	1	1	1	1	1
55	1	1	1	1	1
65	0	0	0	0	0
75	0	0	0	0	0
85	0	0	0	0	0
90	0	0	0	0	0

Zone	Lumens
0	
0-10	74
10-20	122
20-30	85
30-40	18
40-50	1
50-60	0
60-70	0
70-80	0
80-90	0
90	

Vertical Angle	Horizontal Angles		
	0	45	90
45	846	812	751
55	624	571	548
65	611	541	526
75	543	483	476
85	473	416	409

Pixel - 1x1, 15° beam, CN baffle, sharp
300 lm/unit



Total Lumens: 300 lm (1x1)
Input Watts: 2.86 W
Efficacy: 105 lm/W

IES FILE: PXLPR-1X1-CN-SR-D15-MW-90-35-300.ies
TESTED ACCORDING TO IES LM-79-2019

Vertical Angle	Horizontal Angles				
	0	22.5	45	67.5	90
0	1066	1066	1066	1066	1066
5	979	952	949	937	956
15	343	321	315	304	316
25	128	122	121	120	123
35	55	53	53	52	54
45	18	18	18	19	19
55	10	10	10	11	11
65	4	4	4	4	4
75	2	2	2	2	2
85	0	0	0	0	0
90	0	0	0	0	0

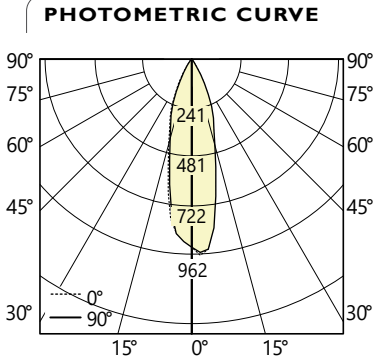
Zone	Lumens
0	
0-10	80
10-20	95
20-30	59
30-40	35
40-50	15
50-60	9
60-70	4
70-80	2
80-90	1
90	

Vertical Angle	Horizontal Angles		
	0	45	90
45	15542	16208	16836
55	10560	10939	11956
65	6413	6185	6099
75	4676	4441	4446
85	3476	3290	3505

i All IES files are available for download at: www.axislighting.com

● PHOTOMETRIC DATA

Pixel - 1x1, 15° beam, LF baffle, soft
300 lm/unit



Total Lumens: 300 lm (1x1)
Input Watts: 2.86 W
Efficacy: 105 lm/W

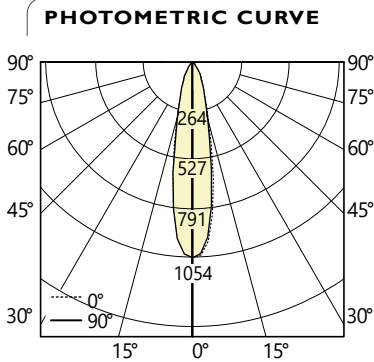
IES FILE: PXLPR-1X1-LF-SF-D15-MW-90-35-300.ies
TESTED ACCORDING TO IES LM-79-2019

Vertical Angle	Horizontal Angles				
	0	22.5	45	67.5	90
0	923	923	923	923	923
5	936	936	924	884	875
15	439	424	415	387	378
25	192	177	170	155	149
35	27	27	27	22	18
45	0	1	1	0	0
55	0	0	0	0	0
65	0	0	0	0	0
75	0	0	0	0	0
85	0	0	0	0	0
90	0	0	0	0	0

Zone	Lumens
0	76
0-10	119
10-20	84
20-30	20
30-40	1
40-50	0
50-60	0
60-70	0
70-80	0
80-90	0
90	0

Vertical Angle	Horizontal Angles		
	0	45	90
45	391	742	315
55	192	213	187
65	164	171	182
75	157	164	183
85	186	186	201

Pixel - 1x1, 15° beam, LF baffle, sharp
300 lm/unit



Total Lumens: 300 lm (1x1)
Input Watts: 2.86 W
Efficacy: 105 lm/W

IES FILE: PXLPR-1X1-LF-SR-D15-MW-90-35-300.ies
TESTED ACCORDING TO IES LM-79-2019

Vertical Angle	Horizontal Angles				
	0	22.5	45	67.5	90
0	1054	1054	1054	1054	1054
5	973	938	923	899	905
15	344	317	302	285	288
25	127	120	117	114	116
35	56	60	61	57	50
45	18	22	28	20	17
55	9	9	9	9	9
65	4	4	4	3	3
75	2	2	1	1	1
85	0	0	0	0	0
90	0	0	0	0	0

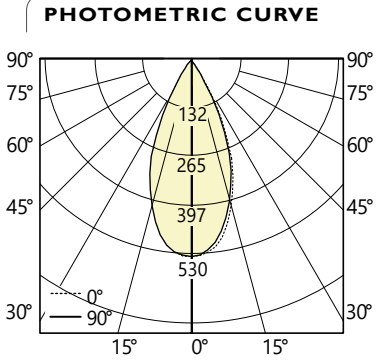
Zone	Lumens
0	79
0-10	93
10-20	58
20-30	37
30-40	19
40-50	9
50-60	4
60-70	2
70-80	0
80-90	0
90	0

Vertical Angle	Horizontal Angles		
	0	45	90
45	15681	25117	14994
55	9466	10052	9997
65	5465	5378	4735
75	3968	3495	3290
85	3089	2437	2308

i All IES files are available for download at: www.axislighting.com

● PHOTOMETRIC DATA

Pixel - 1x1, 50° beam, CN baffle, soft
300 lm/unit



Vertical Angle	Horizontal Angles				
	0	22.5	45	67.5	90
0	530	530	530	530	530
5	521	518	516	513	515
15	414	405	402	395	397
25	231	225	223	212	214
35	50	49	50	46	44
45	7	6	6	6	6
55	1	1	1	1	1
65	1	1	1	1	1
75	0	0	0	0	0
85	0	0	0	0	0
90	0	0	0	0	0

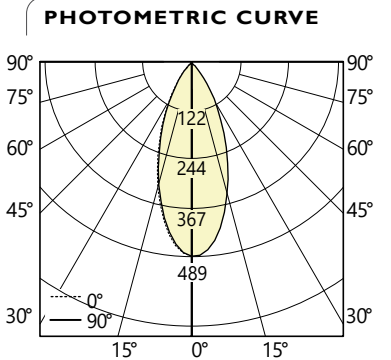
Zone	Lumens
0	
0-10	48
10-20	112
20-30	100
30-40	33
40-50	5
50-60	1
60-70	1
70-80	0
80-90	0
90	

Vertical Angle	Horizontal Angles		
	0	45	90
45	6005	5342	4883
55	1064	1080	1070
65	1067	1075	1070
75	985	994	992
85	975	918	831

Total Lumens: 300 lm (1x1)
Input Watts: 2.86 W
Efficacy: 105 lm/W

IES FILE: PXLPR-1X1-CN-SF-D50-MW-90-35-300.ies
TESTED ACCORDING TO IES LM-79-2019

Pixel - 1x1, 50° beam, CN baffle, sharp
300 lm/unit



Vertical Angle	Horizontal Angles				
	0	22.5	45	67.5	90
0	489	489	489	489	489
5	475	474	475	473	474
15	345	345	347	344	348
25	190	191	196	193	195
35	80	81	84	82	83
45	24	24	26	25	26
55	8	8	9	9	9
65	3	3	3	3	3
75	1	1	1	1	1
85	0	0	0	0	0
90	0	0	0	0	0

Zone	Lumens
0	
0-10	43
10-20	92
20-30	85
30-40	49
40-50	19
50-60	7
60-70	3
70-80	1
80-90	0
90	

Vertical Angle	Horizontal Angles		
	0	45	90
45	20937	22620	22840
55	9078	9493	9903
65	4120	4111	4142
75	3278	3271	3329
85	2831	2903	3039

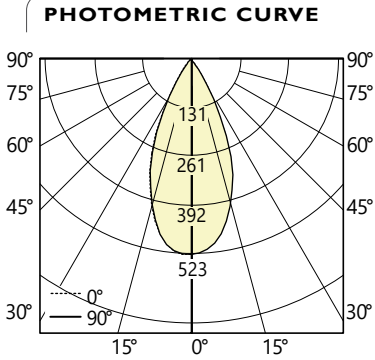
Total Lumens: 300 lm (1x1)
Input Watts: 2.86 W
Efficacy: 105 lm/W

IES FILE: PXLPR-1X1-CN-SR-D50-MW-90-35-300.ies
TESTED ACCORDING TO IES LM-79-2019

i All IES files are available for download at: www.axislighting.com

● PHOTOMETRIC DATA

Pixel - 1x1, 50° beam, LF baffle, soft
300 lm/unit



Total Lumens: 300 lm (1x1)
Input Watts: 2.86 W
Efficacy: 105 lm/W

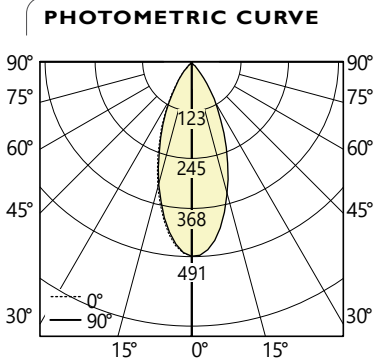
IES FILE: PXLPR-1X1-LF-SF-D50-MW-90-35-300.ies
TESTED ACCORDING TO IES LM-79-2019

Vertical Angle	Horizontal Angles				
	0	22.5	45	67.5	90
0	522	522	522	522	522
5	511	510	511	510	512
15	407	401	400	395	396
25	227	218	217	211	212
35	51	50	51	47	43
45	8	8	9	7	6
55	1	1	1	1	1
65	0	0	0	0	0
75	0	0	0	0	0
85	0	0	0	0	0
90	0	0	0	0	0

Zone	Lumens
0	
0-10	48
10-20	111
20-30	99
30-40	35
40-50	7
50-60	1
60-70	0
70-80	0
80-90	0
90	

Vertical Angle	Horizontal Angles		
	0	45	90
45	6731	7702	5346
55	577	735	624
65	469	532	548
75	459	517	538
85	538	552	516

Pixel - 1x1, 50° beam, LF baffle, sharp
300 lm/unit



Total Lumens: 300 lm (1x1)
Input Watts: 2.86 W
Efficacy: 105 lm/W

IES FILE: PXLPR-1X1-LF-SR-D50-MW-90-35-300.ies
TESTED ACCORDING TO IES LM-79-2019

Vertical Angle	Horizontal Angles				
	0	22.5	45	67.5	90
0	491	491	491	491	491
5	476	470	467	466	468
15	341	332	331	327	329
25	187	183	183	178	178
35	80	79	80	76	74
45	23	25	30	24	22
55	8	8	8	8	7
65	2	2	2	2	2
75	1	1	1	1	1
85	0	0	0	0	0
90	0	0	0	0	0

Zone	Lumens
0	
0-10	43
10-20	92
20-30	85
30-40	49
40-50	19
50-60	7
60-70	3
70-80	1
80-90	0
90	

Vertical Angle	Horizontal Angles		
	0	45	90
45	20572	26245	19192
55	8309	9175	7609
65	3252	3304	2961
75	2549	2373	2293
85	2287	1964	1864

i All IES files are available for download at: www.axislighting.com