

Cylinder 55

Cable/ Stem Mount, Surface.



Project _____
 Type _____
 Notes _____

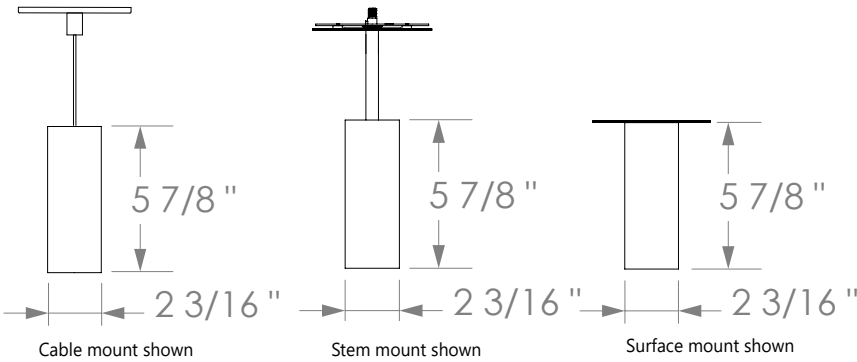


PERFORMANCE PER UNIT AT 3500K

TOTAL LUMEN OUTPUT	INPUT WATTS	EFFICACY
729 lm	16 W	46 lm/W

 Also available as a **Track Decorative**, please refer to [TDC55.SPEC spec sheet](#)

SIDE VIEWS



Ordering Guide

C55										
PRODUCT ID	NOM. LUMENS	COLOR TEMP.	HOUSING FINISH	VOLTAGE		DRIVER				
C55 Cylinder 55 Pendant Stand alone	550	550 lm min	30	3000K	120	120 V	DP dimming (0-10V or TRIAC) 1% * LT(LDE1) Lutron Hi-lume 1% EcoSystem (remote)** O(DALI) DALI (remote)**			
	750	750 lm max	35	3500K	277	277 V				
					UNV	universal				
					347	347 V*				
			* Extended lead time may apply.		* Not available with DP driver. SMR, SCP, and CLAR mounting only.		* Only available with for SM, SCP, and CLA mounting options. TRIAC dimming for line voltage capable (120V voltage only), purple and pink wires need to be capped in that case. See wiring detail on page 3. ** Only available with SMR, SCP, and CLAR mounting options. Remote driver enclosure by Axis.			

MOUNTING	CANOPY FINISH
SM Surface mount, driver in j-box* SCP(L) Stem stand alone canopy, driver in j-box (standard stem lengths 6", 12", 24", and 36")** ** CLA(L) cable length adjustable (specify length between 6" and 140") – cable can be shortened on-site.*** SMR Surface mount, remote driver SCP(L) Stem stand alone canopy, remote driver (standard stem lengths 6", 12", 24", and 36")** CLAR(L) cable length adjustable, remote driver (specify length between 6" and 140") – cable can be shortened on-site.***	BLK black W white
Round canopy used. See more details on page 2. * Only available with DP driver. ** Custom lengths available with extended lead time, please specify. ***Black or white 1/8" diameter cable used. To order Swag mounting accessories, such as Rails and Hooks, see Swag Accessories for Pendants Spec sheet.	

Cylinder 55

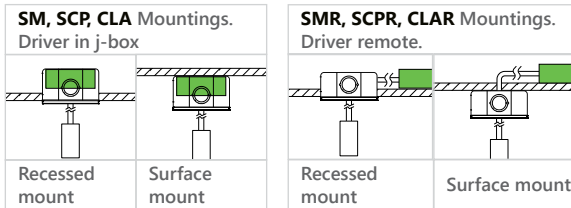
Cable/ Stem Mount, Surface.

CONSTRUCTION

- Housing** Precision machining aluminum.
- Optic holder** Die-cast aluminum. Heat sink construction holds LED array and regressed acrylic TIR optics.
- Cable Mounting** Concealed cable gripper for easy suspension length adjustment.
- Stem and Surface Mounting** Steel

MOUNTING OPTIONS

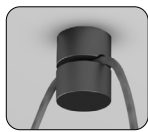
Drywall and solid ceiling compatible.



SWAG MOUNTING DETAILS



Swag hook shown on rail (TDSR)



Swag hook shown on ceiling (TDSH)

To get more details and order swag mounting hardware please see [Swag Accessories for Pendants Spec sheet](#).

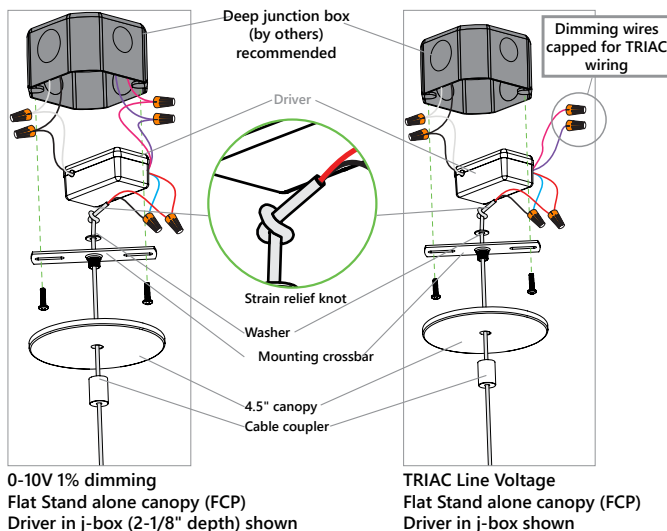
FINISH

Powder coated matte black or white metal finish.

WEIGHT

Cylinder 55 : 1 lbs / 0.45 kg

WIRING DETAIL (cable mount)



ELECTRICAL

- DP driver (FCP)** Canopy includes an Axis integral driver, 0-10V 1% or TRIAC line voltage dimming standard.
- Lutron driver (remote)** LDE1 - Hi-lume 1% EcoSystem with Soft-on, Fade-to-Black
- Other drivers (remote)** DALI - Digital Addressable Lighting Interface
- Luminaire Input Voltage** 28VDC constant current.

LED SYSTEM

- CRI CCT** Minimum 90 color rendering index 3000K, 3500K color temperature with a great color consistency (within 3-step MacAdam ellipse).
- LED life** Minimum 50,000h with 85% of lumen maintenance in 25°C ambient temperature, in compliance with IES LM-80 testing measurements.
- Thermal Management** Aluminum housing acting as the heat sink to maximize life.

BEAM SPREADS



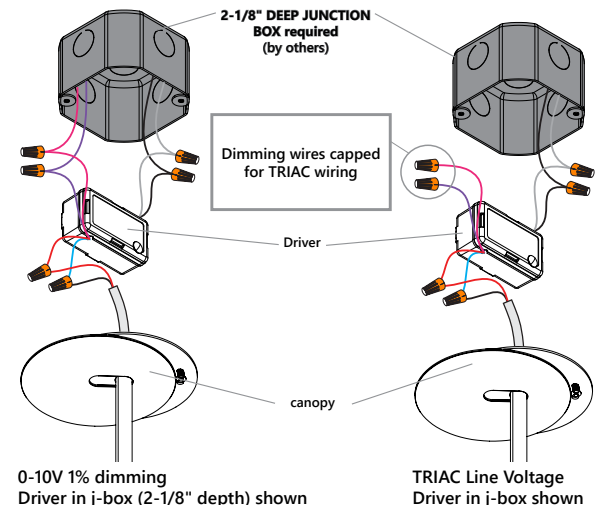
APPROVALS

Certified to cULus standards. All Decoratives, Pendants, and Spotlights certified under UL2108.

WARRANTY

Limited 5-year warranty is available. Warranty is valid provided luminaires are installed and used according to specifications. For full terms and conditions, please consult warranty section at [axislighting.com](#).

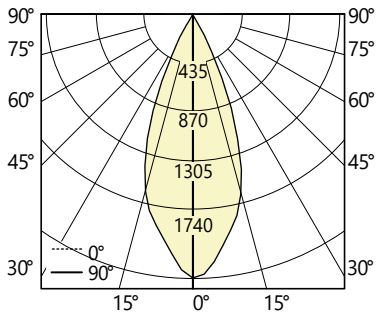
WIRING DETAIL (stem and surface mount)



● **PHOTOMETRIC DATA**

750 lm

PHOTOMETRIC CURVE



CANDELA DISTRIBUTION

Vertical Angle	Horizontal Angles				
	0	22.5	45	67.5	90
0	1740	1740	1740	1740	1740
5	1655	1653	1653	1636	1636
15	1283	1267	1263	1242	1233
25	508	484	485	460	458
35	41	37	37	33	33
45	2	1	2	1	1
55	0	0	0	0	0
65	0	0	0	0	0
75	0	0	0	0	0
85	0	0	0	0	0
90	0	0	0	0	0

ZONAL LUMENS

Zone	Lumens
0	
0-10	149
10-20	332
20-30	216
30-40	31
40-50	1
50-60	0
60-70	0
70-80	0
80-90	0
90	

LUMINANCE DATA (cd/m²)

Vertical Angle	Horizontal Angles		
	0	45	90
45	12207	12359	11535
55	0	0	0
65	0	0	0
75	0	0	0
85	0	0	0

Total Lumens: 729 lm

Input Watts: 16 W

Efficacy: 46 lm/W

IES FILE: TDC55-750-90-35.ies
TESTED ACCORDING TO IES LM-79-2019

i All IES files are available for download at: www.axislighting.com