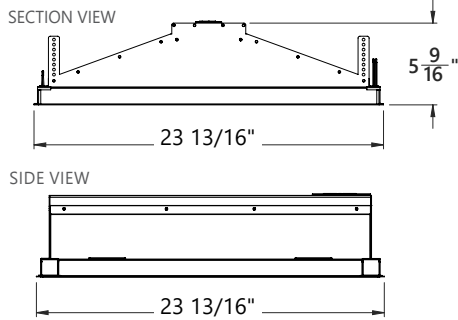


Flexible Ambient 2x2 | Recessed



Project _____

Type _____

Notes _____

- Recessed ambient provides soft, even illumination
- Modular door with room-side access
- Other sizes available: 1x4, and 2x4
- Replaceable light engine cartridge

*See performance chart on page 7.



*Patent pending

Ordering Guide

BCFA2		22									
PRODUCT ID	SIZE	NOMINAL LUMENS		CRI		COLOR TEMP. (choose one)					
BCFA2	Flexible Ambient Recessed	22	2'X2'	2300	2300 lm - Minimum	90	high efficacy 90 CRI	30	3000 K	TW2750	2700-5000 K - Tunable White
				5000	5000 lm - Maximum			35	3500 K	TW2765	2700-6500 K - Tunable White
								40	4000 K		
								B30	3000 K - BIOS*		
								B35	3500 K - BIOS*		
				B40	4000 K - BIOS*						
Outputs between listed min and max are available. Consult factory for outputs outside of the listed range.						Consult Axitune technical sheet for more information of color technology. *Consult BIOS guide for more information on BIOS technology. BIOS is 80CRI only.					

FINISH		VOLTAGE		DRIVER		CIRCUITS		LV CONTROLLER (OPT.)		
AMW	antimicrobial white*	120	120 V	DP	dimming (0-10V) 1%	1	1 circuit emergency section * +E(#) +GTD(#) generator transfer device*	LVC1	low voltage controller (Mode LVC1)	
	C	custom**	277	277 V	LT			Lutron	LVCD3	low voltage controller (Mode LVCD3 step dim)
			347	347 V	O(#)			other**	LVCD4	low voltage controller (Mode LVCD4 smooth dim)
			UNV	universal	DPB(#)			dimming (0-10V) 1% with BIOS*		
				TW(#)	tunable white drivers*					
* Standard finish **Consult factory for NSF.				* See page 3 to specify system ** Please consult factory; see page 3		* Specify quantity		Available with DP driver single CCT options only Not available with 347V Please consult factory For compatibility with control devices, such as pillow speaker handset. See wiring diagrams on page 5.		

MOUNTING		BATTERY (OPT.)	
TB9	t-bar 9/16"	B(#)	battery pack
TB15	t-bar 15/16"		
TG9	tegular 9/16"		
TG15	tegular 15/16"		
DF	drywall flange		
		Not available with 347V Please consult factory	

Accessories ordered separately. See Accessories ordering guide.

Light Engine available to order separately. See page 2.

Flexible Ambient 2x2 | Recessed

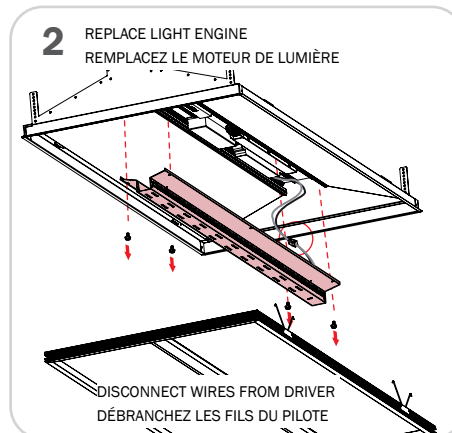
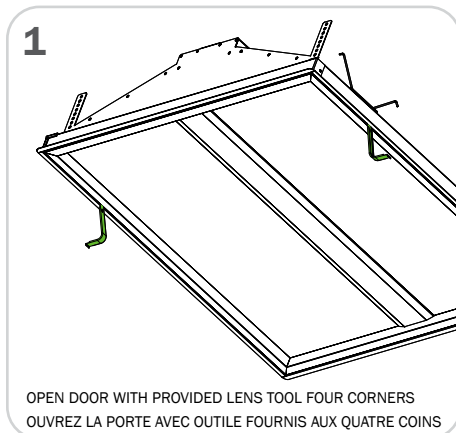
Light Engine is available as optional shelf stock for easy maintenance change-out; ordered separately.

Light Engine Replacement Ordering Guide


BCFA2LE		22								NA			
PRODUCT ID		SIZE		NOMINAL LUMENS		CRI		COLOR TEMP. (choose one)				FINISH	
BCFA2LE	Flexible Ambient Light Engine Replacement	22	2'x2'	2300	2300 lm - Minimum	90	high efficacy 90 CRI	30	3000 K	TW2750	2700-5000 K - Tunable White	NA	not applicable
				5000	5000 lm - Maximum			35	3500 K	TW2765	2700-6500 K - Tunable White		
								40	4000 K				
								B30	3000 K - BIOS*				
								B35	3500 K - BIOS*				
		B40	4000 K - BIOS*										
				Outputs between listed min and max are available. Consult factory for outputs outside of the listed range.				Consult Axitune technical sheet for more information of color technology. *Consult BIOS guide for more information on BIOS technology. BIOS is 80CRI only.					

NA	NA	NA	NA
VOLTAGE	DRIVER	CIRCUITS	MOUNTING

Light Engine Replacement



Use part # BCLTL to order lens tool as an accessory. See Accessories ordering guide.



Flexible Ambient 2x2 | Recessed

● SPECIFICATIONS

Housing	Extruded aluminum (0.065" nominal)/ Sheet metal (22 gauge)
Door Frame	Extruded aluminum (0.065" nominal)
Side Lens	3mm PMMA Satin Frosted diffuser
Reflectors	Specular aluminum
Drywall Flange Kit	Extruded aluminum (0.060" nominal)

● ELECTRICAL

Lutron driver*	LDE1 - Hi-lume 1% EcoSystem with Soft-on, Fade-to-Black *Consult factory
Other drivers**	DALI - Digital Addressable Lighting Interface DMX - Digital Multiplex Xitanium SR - For wireless sensor LEDCODE - EldoLED LEDcode driver
BIOS DPB drivers**	STC - BIOS control 0-10V with static spectrum and BIOS SkyBlue enabled from 100% to 1%. DCA - DynamicCare™ for Axis; BIOS control 0-10V with dynamic spectrum and BIOS SkyBlue® with Bio-Dimming™, which changes spectral qualities by removing the SkyBlue component when dimming from 100% to 51%, while light output remains relatively constant; CCT will decrease approximately 500K through bio-dimming; dimming from 50% to 1% will then reduce light output.
Tunable White TW drivers**	DALIDT6 - DALI Type 6 (Two DALI Addresses) DALIDT8 - DALI Type 8 (One DALI Address) DPTW - two channel 0-10V dimming: one channel for brightness, one channel for CCT. LDTW - Lutron DALI Type 8 (One DALI address) Tunable White series
Power over Ethernet POE drivers**	MOLEX IGOR SMARTENGINE O - Other (Consult factory)
Emergency	Integral emergency battery pack or emergency circuit optional.
Input Voltage	120V, 277V, 347V, UNV, DC.
Flex Whip	Shipped in a separate box for contractors to install

*Choose driver from available options.

i Incorporating these components may have limitations or affect the length of the luminaire. Please contact factory for more details.

● FINISH

Highly reflective, matte powder coat white paint for high efficiency. Matte texture to diffuse glare and lamp image on the surface within the optical chamber exterior. Custom finishes are also available.

● LED SYSTEM

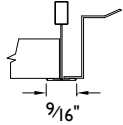
CRI	High efficacy 90 color rendering index.
CRI BIOS	Minimum 80 color rendering index with R9>75 for all CCTs.
CCT Single Color	Choice of 3000K, 3500K and 4000K color temperature with a great color consistency (within 3-step MacAdam ellipse). Both within fixture and fixture to fixture.
CCT BIOS	BIOS Static (STC) Choice of 3000K, 3500K and 4000K. BIOS SkyBlue® DynamicCare™ for Axis (DCA); Choice of 3000K, 3500K, and 4000K with Bio-Dimming™, which then reduces by 500K. Consult BIOS guide for more information on BIOS technology.
CCT Axitune Systems	Consult Axitune technical sheet for more information on color technology
LED life	Minimum 50,000h with 85% of lumen maintenance in 25°C ambient temperature, in compliance with IES LM-80 testing measurements.
Thermal Management	Aluminum housing acting as the heat sink to maximize life.
Environment	For all line voltage drivers, dry and damp rated for ambient operating temperature of -20° to +40°C (-4° to +104°F) For POE driver option, dry and damp rated for ambient operating temperature of 0° to +40°C (+32° to +104°F) Consult factory for temperature outside this range.

Flexible Ambient 2x2 | Recessed

● CEILING SYSTEM

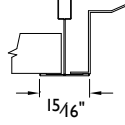
T-BAR STYLE MOUNTING

(TB9)



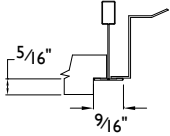
9/16" T-BAR

(TB15)



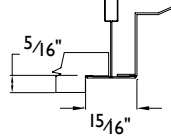
15/16" T-BAR

(TG9)



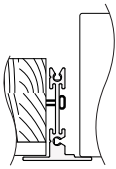
9/16" TEGULAR

(TG15)

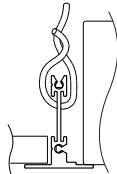


15/16" TEGULAR

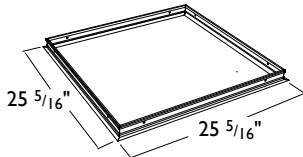
DRYWALL WITH FLANGE KIT (DF)



WITH WOOD FRAME
DRYWALL MOUNTING KIT



WITHOUT WOOD FRAME
DRYWALL MOUNTING KIT



FIXTURE DIMENSIONS
23 13/16" x 23 13/16"

CUT HOLE DIMENSIONS
24 9/16" / 24 9/16"

i Installation sheets for all mounting options are available at: www.axislighting.com

● APPROVALS

With product features that promote cleanability and durability, Axis Lighting meets functional and application-specific industry listings such as UL, Ingress Protection (IP) and National Sanitation Foundation (NSF) standards.

● WEIGHT

Standard	12 lbs / 5.4 kg
Drywall with Kit	14 lbs / 6.4 kg

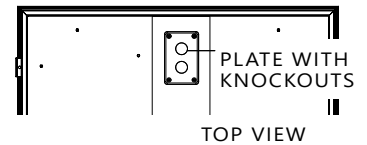
● WARRANTY

Limited 5-year warranty is available. Warranty is valid provided luminaires are installed and used according to specifications. For full terms and conditions, please consult warranty section at axislighting.com.

● STANDARD AND END MOUNT POWER FEED

Knockouts for BX cable connection are provided.

(BX CABLE BY OTHER)



TOP VIEW

Flexible Ambient 2x2 | Recessed

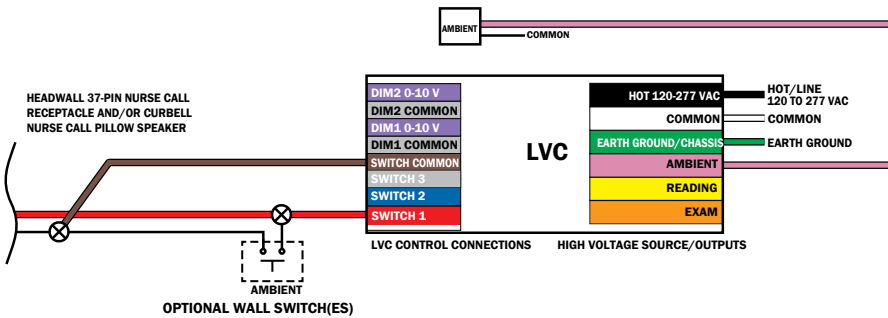
● LOW VOLTAGE CONTROLLERS - CONFIGURATIONS

		AMBIENT Independent ON / OFF	AMBIENT Light Dimming,	
			Step Dimming (one direction)	Smooth Dimming (two direction)
		LVC1 Option	LVCD3 Option	LVCD4 Option
Toggle Switch AMBIENT (Pillow Speakers, wall switch) affects AMBIENT Light as follows:	First Toggle	Ambient ON	Ambient ON, Full brightness	First toggle: Ambient ON, dim level set to approx. 100% brightness Subsequent sustained press: smooth Dimming Second toggle: Ambient OFF
	Second Toggle	Ambient OFF	Ambient ON, approx. 60% brightness	
	Third Toggle	-	Ambient ON, approx. 30% brightness	
	Fourth Toggle	-	Ambient ON, approx. 10% brightness	
	Fifth Toggle	-	Ambient OFF	

● LOW VOLTAGE CONTROLLERS WIRING DIAGRAMS

WIRING DIAGRAM 1

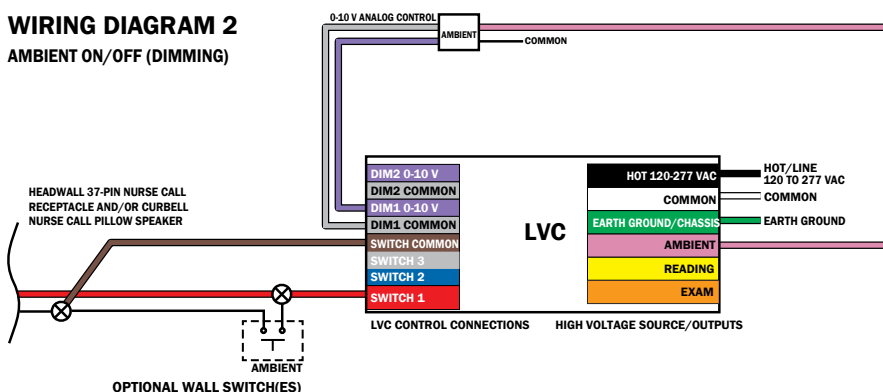
AMBIENT ON/OFF (NO DIMMING)



1. LVC1 Mode:
AMBIENT independent On/Off, no dimming

WIRING DIAGRAM 2

AMBIENT ON/OFF (DIMMING)



2. LVCD 3 Mode:
AMBIENT with step dimming
3. LVCD 4 Mode:
AMBIENT with smooth dimming

Flexible Ambient 2x2 | Recessed

PERFORMANCE AT 3500K

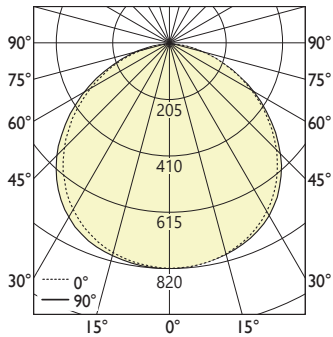
DISTRIBUTION	LUMEN OUTPUT	INPUT WATTS*	EFFICACY	Estd. L85 LED Life (hrs.)
GENERAL DISTRIBUTION	2300 lm	18.5 W	124 lm/W	50000, min
	4300 lm	35.6 W	121 lm/W	50000, min

Please consult factory for custom lumen output and wattage.

● PHOTOMETRIC DATA

PHOTOMETRIC CURVE

General distribution



Luminaire Lumens: 2300 lm
Input Watts: 18.5 W
Efficacy: 124 lm/W
 IES FILE: BCFA2-22-2300-90-35.ies

TESTED ACCORDING TO IES LM-79-2019

CANDELA DISTRIBUTION

Vertical Angle	Horizontal Angles				
	0	22.5	45	67.5	90
0	820	820	820	820	820
5	817	818	818	818	819
15	783	785	791	796	798
25	718	722	735	747	753
35	628	634	652	669	678
45	520	525	544	563	573
55	397	400	418	434	443
65	266	267	280	290	299
75	135	135	141	142	148
85	32	30	28	24	24
90	3	2	2	2	3

ZONAL LUMENS

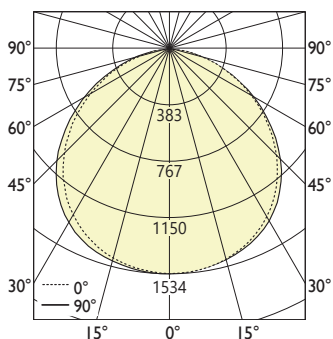
Zone	Lumens
0	
0-10	78
10-20	223
20-30	339
30-40	408
40-50	420
50-60	373
60-70	277
70-80	148
80-90	35
90	

LUMINANCE DATA (cd/m²)

Vertical Angle	Horizontal Angles		
	0	45	90
45	2344	2453	2583
55	2206	2323	2464
65	2006	2114	2252
75	1661	1733	1821
85	1165	1042	868

PHOTOMETRIC CURVE

General distribution



Luminaire Lumens: 4299 lm
Input Watts: 35.6 W
Efficacy: 121 lm/W
 IES FILE: BCFA2-22-4300-90-35.ies

TESTED ACCORDING TO IES LM-79-2019

CANDELA DISTRIBUTION

Vertical Angle	Horizontal Angles				
	0	22.5	45	67.5	90
0	1534	1534	1534	1534	1534
5	1527	1529	1530	1530	1530
15	1463	1468	1478	1488	1492
25	1342	1349	1374	1396	1409
35	1175	1185	1219	1250	1268
45	972	981	1017	1052	1072
55	742	749	781	811	829
65	497	500	524	543	558
75	252	252	263	266	276
85	60	55	53	45	44
90	5	4	5	5	5

ZONAL LUMENS

Zone	Lumens
0	
0-10	145
10-20	417
20-30	633
30-40	762
40-50	785
50-60	698
60-70	517
70-80	277
80-90	65
90	

LUMINANCE DATA (cd/m²)

Vertical Angle	Horizontal Angles		
	0	45	90
45	4383	4585	4830
55	4124	4343	4606
65	3750	3953	4211
75	3105	3241	3405
85	2178	1948	1622

i All IES files are available for download at: www.axislighting.com