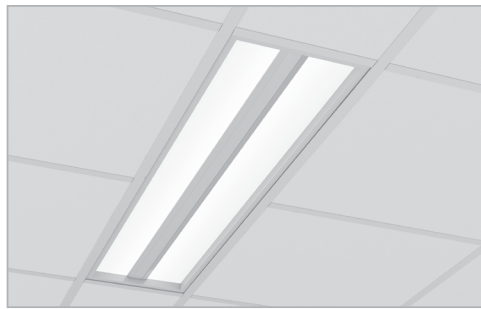


# Flexible Ambient 1x4 | Recessed

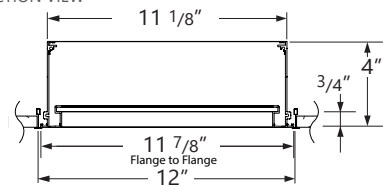


Project \_\_\_\_\_

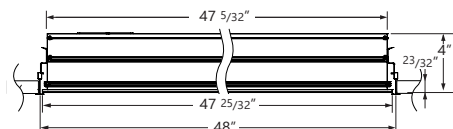
Type \_\_\_\_\_

Notes \_\_\_\_\_

SECTION VIEW



SIDE VIEW



- Recessed ambient provides soft, even illumination
- Available in general diffuse and wide distributions
- Modular optical chamber with room-side access
- Low profile design, housing only 4" deep
- Controls and sensor ready
- Other sizes available: 1x1, 2x2 and 2x4

\*See performance chart on page 7.



## Ordering Guide

\*Patent pending

BCFA	14											
PRODUCT ID	SIZE	NOMINAL LUMENS (ambient section)		CRI		COLOR TEMP. (choose one)				DISTRIBUTION		
BCFA Flexible Ambient Recessed	14 1'X4'	2300	2300 lm - Minimum	80	80 CRI	30	3000 K	TW2750		2700-5000 K - Tunable White	GD	general diffuse
		4300	4300 lm - Maximum	90	90 CRI*	35	3500 K				WD	wide
						40	4000 K					
						B30	3000 K - BIOS*					
						B35	3500 K - BIOS*					
						B40	4000 K - BIOS*					
		Outputs between listed min and max are available. Consult factory for outputs outside of the listed range. Consult factory for max output with BIOS.		* Not available with BIOS		<a href="#">Consult Axitune technical sheet for more information on color technology.</a> <a href="#">*Consult BIOS guide for more information on BIOS technology. Only available with 80 CRI.</a>						

CENTER OPTICS (see page 2 for all options) <sup>!!</sup>		FINISH	VOLTAGE	DRIVER
SO(lumen)	spotless lens	AMW antimicrobial white*	120 120 V	DP dimming (0-10V) 1%
MLWB(lumen)	micro louver wide- black	C custom**	277 277 V	LT Lutron
MLNB(lumen)	micro louver narrow - black		347 347 V	BI bi-level dimming
MLWG(lumen)	micro louver wide - grey		UNV universal	O(#) other**
MLNG(lumen)	micro louver narrow - grey		DC low voltage*	DPB(#) dimming (0-10V) 1% with BIOS*
MKL(Module Qty., Beam Angles, Cell Finish)	Mikrolite			TW(#) tunable white drivers*
AC(QTY., Beam, Finish)	Accent			POE(#) POE drivers*
BL	Blank (non-illuminated center strip)**			
<b>!! Refer to page 2 for specific ordering code choices and examples.</b> ** BL - IP64 rated. Other center options are not IP64 rated.		* Standard finish **Consult factory for NSF.	* Only available with POE drivers.	* See page 4 to specify system ** Please consult factory; see page 4

CIRCUITS	LV CONTROLLER (OPT.)	MOUNTING	BATTERY (OPT.)
1 1 circuit	LVC1 low voltage controller (Mode LVC1)	TB9 t-bar 9/16"	B(#) battery pack
2 2 circuits	LVC2 low voltage controller (Mode LVC2)	TB15 t-bar 15/16"	
+E(#) emergency section *	LVC3 low voltage controller (Mode LVC3 step dim)	TG9 tegular 9/16"	
+GTD(#) generator transfer device*	LVC4 low voltage controller (Mode LVC4 smooth dim)	TG15 tegular 15/16"	
	LVC5 low voltage controller (Mode LVC5 step dim)	DF drywall flange	
	LVC6 low voltage controller (Mode LVC6 smooth dim)		
	LVC7 low voltage controller (Mode LVC7 step dim)		
	LVC8 low voltage controller (Mode LVC8 smooth dim)		
* Specify quantity	Available with DP driver single CCT options only Not available with 347V Please consult factory For compatibility with control devices, such as pillow speaker handset. See wiring diagrams on page 6-7.		Not available with 347V Please consult factory

Accessories ordered separately. See Accessories ordering guide.

Optical chamber available to order separately. See page 3.

# Flexible Ambient 1x4 | Recessed

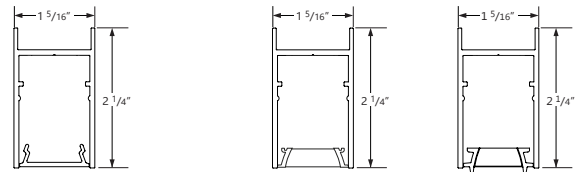
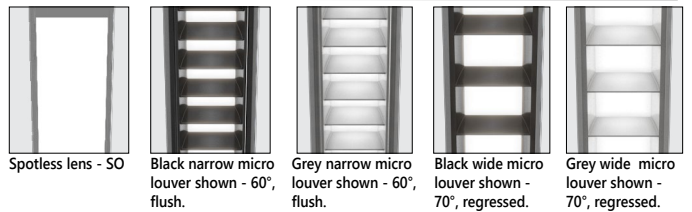
## Center Optics Ordering Guide (transfer ordering code to page 1-C0 column)

SHIELDING & NOM. LUMENS/FT - DIRECT				
<b>SO(lumen)</b>	spotless lens	<b>200</b>	200 lm/ft	<b>SO lens option only</b>
		<b>300</b>	300 lm/ft	
		<b>400</b>	400 lm/ft	
<b>MLWB(lumen)</b>	micro louver wide- black*	<b>200</b>	200 lm/ft	<b>micro louver option only</b>
<b>MLNB(lumen)</b>	micro louver narrow - black*	<b>300</b>	300 lm/ft	
<b>MLWG(lumen)</b>	micro louver wide - grey*	<b>450</b>	450 lm/ft	
<b>MLNG(lumen)</b>	micro louver narrow - grey*	<b>600</b>	600 lm/ft	

\* Micro louver recommended at outputs over 500 lm/ft. Please consult factory for more information.

**EX.: SO(300) to be placed in Central Optics column**

### SO or MICRO LOUVER OPTIONS



Spotless Lens - SO

Micro Louver - Wide

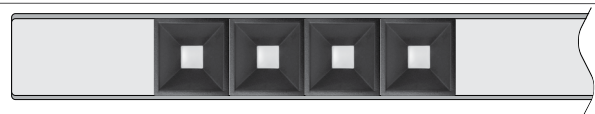
Micro Louver - Narrow

MIKROLITE - MKL(#, Beam Angles, Cell Finish)			
MIKROLITE MODULE QTY	BEAM ANGLE	CELL FINISH	
<b>MKL(#)</b> MikroLite module	<b>MKL35</b> 35 deg	<b>GR</b>	gray
	<b>MKL20</b> 20 deg	<b>BLK</b>	black

1 module contains 4 MikroLites; Module length is 4". Minimum distance from edge 2". 500 lm/module

**EX.: MKL (2, MKL35, GR) to be placed in Central Optics column**

### CENTER OPTICS WITH MIKROLITE 1.0



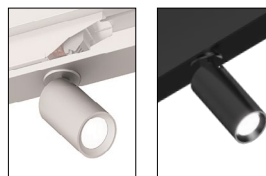
1 module contains 4 Mikrolites

ACCENT - AC(#, Beam, Finish)			
ACCENT QUANTITY	BEAM	ACCENT FINISH	
<b>AC(#)</b> accent quantity	<b>AC20</b> 20 deg	<b>AP</b>	aluminum paint
	<b>AC35</b> 35 deg	<b>W</b>	white
		<b>BLK</b>	black

Only available in 500 lumens, 3000 K, 80 CRI with 0-10V dimming (1%). Minimum spacing between Accents is 4". Accent provided only on blank section by default (min length 2").

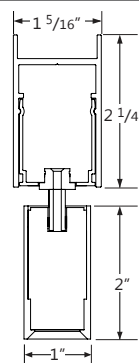
**EX.: AC(2, AC20, AP) to be placed in Central Optics column**

### ACCENT OPTIONS



Accent on segment shown

### CENTER OPTICS WITH ACCENT SECTION VIEW




Accent in blank

# Flexible Ambient 1x4 | Recessed

**Modular optical chamber is available as optional shelf stock for easy maintenance change-out; ordered separately.**

## Optical Chamber Ordering Guide

BCFAOC		14		NOMINAL LUMENS		CRI		COLOR TEMP. (choose one)		DISTRIBUTION			
PRODUCT ID		SIZE											
BCFAOC	Flexible Ambient Recessed Optical Chamber	14	1'X4'	2300	2300 lm - Minimum	80	80 CRI	30	3000 K	TW2750	2700-5000 K - Tunable White	GD	general diffuse wide
				4300	4300 lm - Maximum	90	90 CRI*	35	3500 K				
								B30	3000 K - BIOS*				
								B35	3500 K - BIOS*				
								B40	4000 K - BIOS*				
				Outputs between listed min and max are available. Consult factory for outputs outside of the listed range. Consult factory for max output with BIOS.		* Not available with BIOS		Consult Axitune technical sheet for more information on color technology. *Consult BIOS guide for more information on BIOS technology. Only available with 80 CRI.					

CENTER OPTICS (see page 2 for all options) 		FINISH	
SO(lumen)	spotless lens	AMW	antimicrobial white*
MLWB(lumen)	micro louver wide- black		C
MLNB(lumen)	micro louver narrow - black		
MLWG(lumen)	micro louver wide - grey		
MLNG(lumen)	micro louver narrow - grey		
MKL(Module Qty., Beam Angles, Cell Finish)	Mikrolite		
AC(QTY., Beam, Finish)	Accent		
BL	Blank (non-illuminated center strip)**		
!! Refer to page 2 for specific ordering code choices and examples. ** BL - IP64 rated. Other center options are not IP64 rated.		* Standard finish **Consult factory for NSF.	

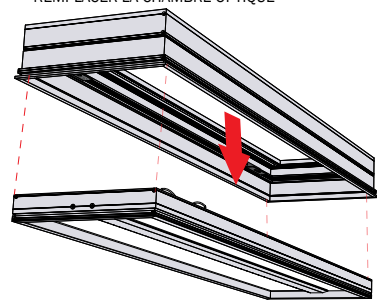
## Optical Chamber Replacement

**1**




PRY WITH PROVIDED LENS TOOL  
FOUR CORNERS  
LEVIER AVEC OUTIL FOURNIS AUX  
QUATRE COINS

**2** REPLACE OPTICAL CHAMBER  
REEMPLACER LA CHAMBRE OPTIQUE



DISCONNECT WIRES FROM DRIVER  
DÉBRANCHEZ LES FILS DU PILOTE

Use part # BCLTL to order lens tool as an accessory. See Accessories ordering guide. 

# Flexible Ambient 1x4 | Recessed

## ● SPECIFICATIONS

<b>Housing</b>	Extruded aluminum (0.065" nominal)
<b>Central Housing</b>	Extruded aluminum (0.065" nominal)
<b>Center Lens</b>	Spotless PMMA lens (optional)
<b>Side Lens</b>	4mm PMMA light guides
<b>Reflectors</b>	Specular aluminum
<b>Drywall Flange Kit</b>	Extruded aluminum (0.060" nominal)

## ● ELECTRICAL

<b>Lutron driver*</b>	LDE1 - Hi-lume 1% EcoSystem with Soft-on, Fade-to-Black *Consult factory
<b>Other drivers**</b>	DALI - Digital Addressable Lighting Interface DMX - Digital Multiplex Xitanium SR - For wireless sensor
<b>BIOS DPB drivers*</b>	STC - BIOS control 0-10V with static spectrum and BIOS SkyBlue enabled from 100% to 1%. DCA - DynamicCare™ for Axis; BIOS control 0-10V with dynamic spectrum and BIOS SkyBlue® with Bio-Dimming™, which changes spectral qualities by removing the SkyBlue component when dimming from 100% to 51%, while light output remains relatively constant; CCT will decrease approximately 500K through bio-dimming; dimming from 50% to 1% will then reduce light output.
<b>Tunable White TW drivers*</b>	DALIDT6 - DALI Type 6 (Two DALI Addresses) DALIDT8 - DALI Type 8 (One DALI Address) DPTW - two channel 0-10V dimming; one channel for brightness, one channel for CCT. LDTW - Lutron DALI Type 8 (One DALI address) Tunable White series
<b>Power over Ethernet POE drivers*</b>	MOLEX IGOR SMARTENGINE O - Other (Consult factory)
<b>Emergency</b>	Integral emergency battery pack or emergency circuit optional.
<b>Input Voltage</b>	120V, 277V, 347V, UNV, DC.
<b>Flex Whip</b>	Shipped in a separate box for contractors to install

\*Choose driver from available options.

**i** Incorporating these components may have limitations or affect the length of the luminaire. Please contact factory for more details.

## ● FINISH

Highly reflective, matte powder coat white paint for high efficiency. Matte texture to diffuse glare and lamp image on the surface within the optical chamber exterior. Custom finishes are also available.

## ● LED SYSTEM

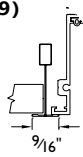
<b>CRI</b>	Minimum 80 or 90 color rendering index options.
<b>CRI BIOS</b>	Minimum 80 color rendering index with R9>75 for all CCTs.
<b>CCT Single Color</b>	Choice of 3000K, 3500K and 4000K color temperature with a great color consistency (within 3-step MacAdam ellipse). Both within fixture and fixture to fixture.
<b>CCT BIOS</b>	BIOS Static (STC) Choice of 3000K, 3500K and 4000K. BIOS SkyBlue® DynamicCare™ for Axis (DCA); Choice of 3000K, 3500K, and 4000K with Bio-Dimming™, which then reduces by 500K. <a href="#">Consult BIOS guide for more information on BIOS technology.</a>
<b>CCT Axitune Systems</b>	<a href="#">Consult Axitune technical sheet for more information on color technology.</a>
<b>LED life</b>	Minimum 50,000h with 85% of lumen maintenance in 25°C ambient temperature, in compliance with IES LM-80 testing measurements.
<b>Thermal Management</b>	Aluminum housing acting as the heat sink to maximize life.
<b>Environment</b>	For all line voltage drivers, dry and damp rated for ambient operating temperature of -20° to +40° C (-4° to +104°F) For POE driver option, dry and damp rated for ambient operating temperature of 0° to +40°C (+32° to +104°F) Consult factory for temperature outside this range.

# Flexible Ambient 1x4 | Recessed

## ● CEILING SYSTEM

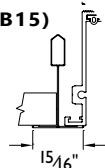
### T-BAR STYLE MOUNTING

(TB9)



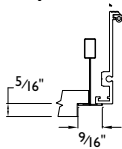
9/16" T-BAR

(TB15)



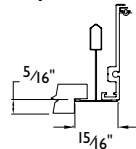
15/16" T-BAR

(TG9)



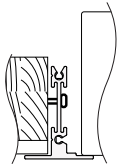
9/16" TEGULAR

(TG15)

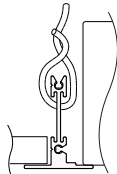


15/16" TEGULAR

### ● DRYWALL WITH FLANGE KIT (DF)

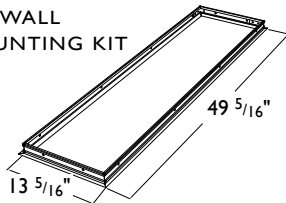


WITH WOOD FRAME



WITHOUT WOOD FRAME

DRYWALL MOUNTING KIT



FIXTURE DIMENSIONS

47 13/16" x 11 13/16"

CUT HOLE DIMENSIONS

48 9/16" / 12 9/16"

**i** Installation sheets for all mounting options are available at: [www.axislighting.com](http://www.axislighting.com)

## ● APPROVALS

With product features that promote cleanability and durability, Axis Lighting meets functional and application-specific industry listings such as UL, Ingress Protection (IP) and National Sanitation Foundation (NSF) standards.

## ● WEIGHT

<b>Standard</b>	26 lbs / 11.8 kg
<b>Drywall with Kit</b>	28 lbs / 12.7 kg

## ● WARRANTY

Axis Lighting will warrant defective LEDs, boards, and drivers for 5 years from date of purchase. Warranty is valid if luminaire is installed and used according to specifications.

If defective, Axis Lighting will send replacement boards or drivers at no cost along with detailed replacement instructions and instructions on how to return defective components to Axis.

## ● STANDARD AND END MOUNT POWER FEED

Knockouts for BX cable connection are provided.

(BX CABLE BY OTHER)



TOP VIEW

# Flexible Ambient 1x4 | Recessed

## ● LOW VOLTAGE CONTROLLERS - CONFIGURATIONS

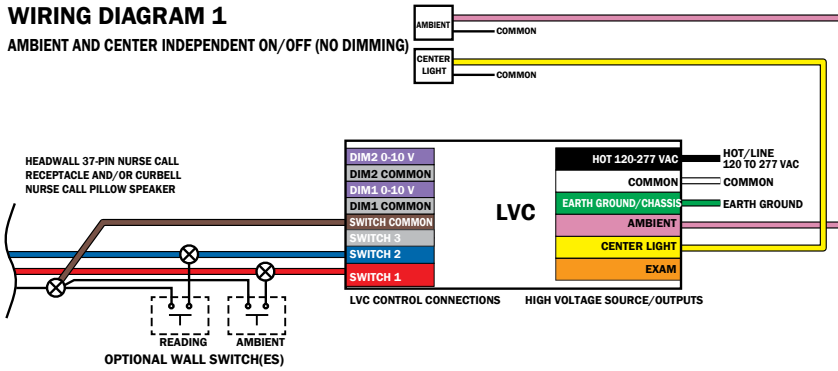
		AMBIENT and CENTER Light Independent ON / OFF	AMBIENT and CENTER Light Sequential ON / OFF	AMBIENT Light Dimming, CENTER Light Independent ON/OFF		AMBIENT and CENTER Light Dimming		AMBIENT and CENTER Light Dimming, NIGHT Mode on AMBIENT Light	
				Step Dimming (one direction)	Smooth Dimming (two direction)	Step Dimming (one direction)	Smooth Dimming (two direction)	Step Dimming (one direction)	Smooth Dimming (two direction)
		LVC1 Option	LVC2 Option	LVC3 Option	LVC4 Option	LVC5 Option	LVC6 Option	LVC7 Option	LVC8 Option
<b>Toggle Switch AMBIENT</b> (Pillow Speakers, wall switch) affects AMBIENT Light as follows:	<b>First Toggle</b>	Ambient ON	Ambient ON, Center OFF	Ambient ON, Full brightness		Ambient ON, Full brightness		Ambient ON, Full brightness	
	<b>Second Toggle</b>	Ambient OFF	Ambient OFF, Center ON	Ambient ON, approx. 60% brightness	First toggle: Ambient ON, dim level set to approx. 100% brightness  Subsequent sustained press: smooth Dimming	Ambient ON, approx. 60% brightness	First toggle: Ambient ON, dim level set to approx. 100% brightness  Subsequent sustained press: smooth Dimming	Ambient ON, approx. 60% brightness	First toggle: Ambient ON, dim level set to approx. 100% brightness  Subsequent sustained press: smooth Dimming
	<b>Third Toggle</b>	-	Ambient ON, Center ON	Ambient ON, approx. 30% brightness		Ambient ON, approx. 30% brightness		Ambient ON, approx. 30% brightness	
	<b>Fourth Toggle</b>	-	Ambient OFF, Center OFF	Ambient ON, approx. 10% brightness	Second toggle: Ambient OFF	Ambient ON, approx. 10% brightness	Ambient ON, approx. 10% brightness	Ambient ON, approx. 10% brightness	
	<b>Fifth Toggle</b>	-	-	Ambient OFF		Ambient OFF	Ambient OFF	Ambient OFF	
<b>Toggle Switch READING</b> (Pillow Speakers, wall switch) affects CENTER Light as follows:	<b>First Toggle</b>	Center ON	-	Center ON	Center ON	Center ON, Full brightness	First toggle: Center ON, dim level set to approx. 100% brightness  Subsequent sustained press: smooth Dimming  Second toggle: Center OFF	Center ON, Full brightness	First toggle: Center ON, dim level set to Approx. 100% brightness  Subsequent sustained presses: smooth dimming  Second toggle: Center OFF
	<b>Second Toggle</b>	Center OFF	-	Center OFF	Center OFF	Center ON, Approx. 60% brightness		Center ON, Approx. 60% brightness	
	<b>Third Toggle</b>	-	-			Center ON, Approx. 30% brightness		Center ON, Approx. 30% brightness	
	<b>Fourth Toggle</b>	-	-			Center ON, Approx. 10% brightness		Center ON, Approx. 10% brightness	
	<b>Fifth Toggle</b>	-	-			Center OFF		Center OFF	
<b>Toggle Switch NIGHT</b> (Pillow Speakers, wall switch) affects AMBIENT Light as follows:	<b>First Toggle</b>	-	-	-	-	-	-	Ambient ON with NIGHT Mode, Exam OFF	Ambient ON with NIGHT Mode, Exam OFF
	<b>Second Toggle</b>	-	-	-	-	-	-	Ambient OFF	Ambient OFF
<b>Toggle Switch EXAM</b> (Pillow Speakers, wall switch) No Light is affected (No EXAM mode)	<b>First Toggle</b>	-	-	-	-	-	-	-	-
	<b>Second Toggle</b>	-	-	-	-	-	-	-	-

# Flexible Ambient 1x4 | Recessed

## ● LOW VOLTAGE CONTROLLERS WIRING DIAGRAMS

### WIRING DIAGRAM 1

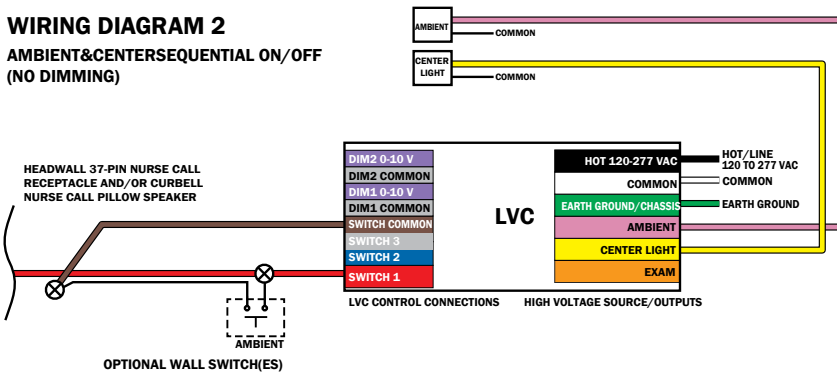
AMBIENT AND CENTER INDEPENDENT ON/OFF (NO DIMMING)



1. LVC1 Mode:  
AMBIENT independent On/Off, no dimming  
CENTER (via Reading sw.) independent On/Off, no dimming

### WIRING DIAGRAM 2

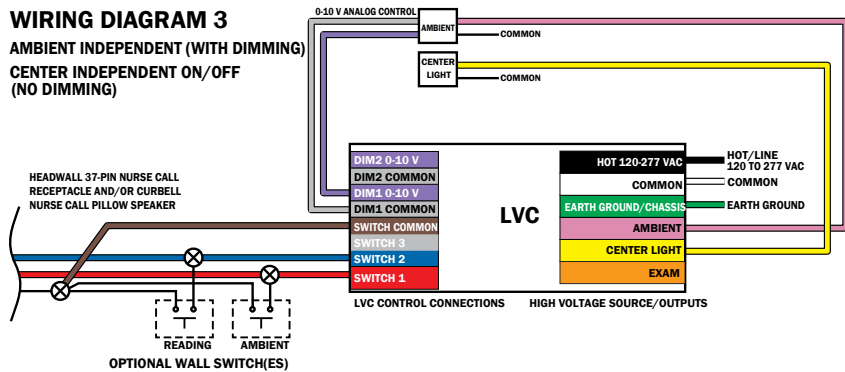
AMBIENT & CENTER SEQUENTIAL ON/OFF (NO DIMMING)



2. LVC2 Mode:  
AMBIENT & CENTER sequential On/Off no dimming

### WIRING DIAGRAM 3

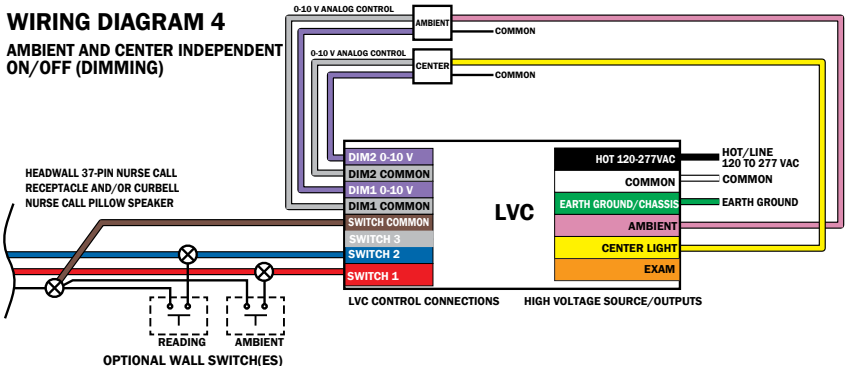
AMBIENT INDEPENDENT (WITH DIMMING)  
CENTER INDEPENDENT ON/OFF (NO DIMMING)



3. LVCD 3 Mode:  
AMBIENT with step dimming  
CENTER (via Reading sw.) On/Off
4. LVCD 4 Mode:  
AMBIENT with smooth dimming  
CENTER (via Reading sw.) On/Off

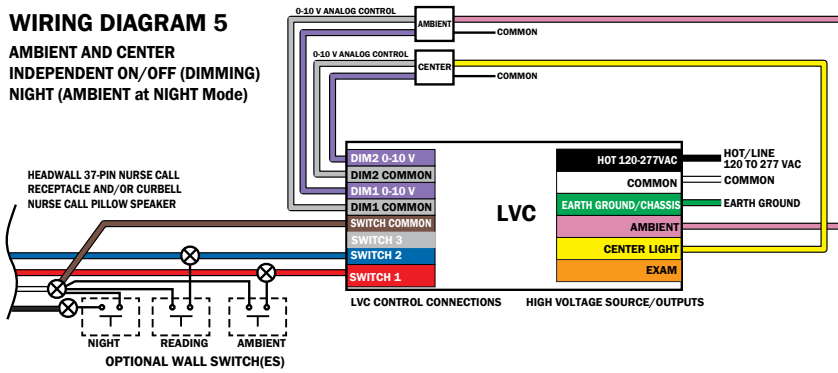
### WIRING DIAGRAM 4

AMBIENT AND CENTER INDEPENDENT ON/OFF (DIMMING)



5. LVCD 5 Mode:  
AMBIENT with step dimming  
CENTER (via Reading sw.) with step dimming
6. LVCD 6 Mode:  
AMBIENT with smooth dimming  
CENTER (via Reading sw.) with smooth dimming

**WIRING DIAGRAM 5**  
**AMBIENT AND CENTER**  
**INDEPENDENT ON/OFF (DIMMING)**  
**NIGHT (AMBIENT at NIGHT Mode)**



7. LVCD 7 Mode:  
 AMBIENT with step dimming  
 CENTER(via Reading sw.) with step dimming  
 NIGHT Night Mode with AMBIENT\*
8. LVCD 8 Mode:  
 AMBIENT with smooth dimming  
 CENTER (via Reading sw.) with smooth dimming  
 NIGHT Night Mode with AMBIENT\*

\* NIGHT switch will turn AMBIENT Load to NIGHT Mode.

With NIGHT Mode On, NIGHT or AMBIENT switch will return AMBIENT Load to its previous state

CENTER Load continues to be controlled only by switch READING

# Flexible Ambient 1x4 | Recessed

## PERFORMANCE AT 3500K

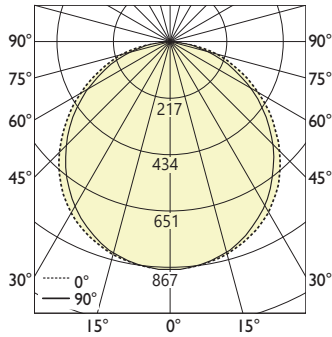
DISTRIBUTION	LUMEN OUTPUT	INPUT WATTS*	EFFICACY	Estd. L85 LED Life (hrs.)
GENERAL DISTRIBUTION	4300 lm	46.7 W	92 lm/W	50000, min
WIDE	4300 lm	50.5 W	85 lm/W	50000, min

Please consult factory for custom lumen output and wattage.

## ● PHOTOMETRIC DATA

### PHOTOMETRIC CURVE

#### General distribution



**Luminaire Lumens: 2300 lm**  
**Input Watts: 25 W**  
**Efficacy: 92 lm/W**

IES FILE: BCFA-14-2300-GD-80-35-W-120-D.ies

TESTED ACCORDING TO IES LM-79-2008

### CANDELA DISTRIBUTION

Vertical Angle	Horizontal Angles				
	0	22.5	45	67.5	90
0	865	865	865	865	865
5	864	862	861	859	859
15	835	830	825	823	823
25	774	765	760	759	760
35	681	670	664	664	666
45	560	548	541	540	542
55	423	410	402	399	401
65	282	269	261	257	257
75	147	138	131	124	123
85	39	34	35	37	38
90	1	1	2	2	2

### ZONAL LUMENS

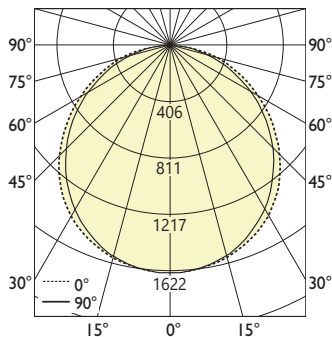
Zone	Lumens
0	82
0-10	233
10-20	351
20-30	417
30-40	419
40-50	361
50-60	260
60-70	139
70-80	38
80-90	38
90	

### LUMINANCE DATA (cd/m<sup>2</sup>)

Vertical Angle	Horizontal Angles		
	0	45	90
0	2377	2294	2299
45	2213	2101	2096
65	1998	1853	1826
75	1700	1519	1423
85	1334	1191	1323

### PHOTOMETRIC CURVE

#### General distribution



**Luminaire Lumens: 4300 lm**  
**Input Watts: 46.7 W**  
**Efficacy: 92 lm/W**

IES FILE: BCFA-14-4300-GD-80-35-W-120-D.ies

TESTED ACCORDING TO IES LM-79-2008

### CANDELA DISTRIBUTION

Vertical Angle	Horizontal Angles				
	0	22.5	45	67.5	90
0	1618	1618	1618	1618	1618
5	1616	1613	1609	1606	1606
15	1561	1551	1543	1539	1538
25	1447	1431	1422	1420	1421
35	1273	1253	1242	1242	1245
45	1048	1024	1011	1009	1013
55	791	766	751	747	749
65	526	503	488	481	481
75	274	258	245	233	230
85	72	63	65	70	72
90	3	3	3	3	3

### ZONAL LUMENS

Zone	Lumens
0	153
0-10	436
10-20	656
20-30	779
30-40	783
40-50	675
50-60	487
60-70	260
70-80	71
80-90	71
90	

### LUMINANCE DATA (cd/m<sup>2</sup>)

Vertical Angle	Horizontal Angles		
	0	45	90
0	4444	4290	4298
45	4138	3928	3919
65	3737	3465	3415
75	3180	2840	2661
85	2494	2228	2475

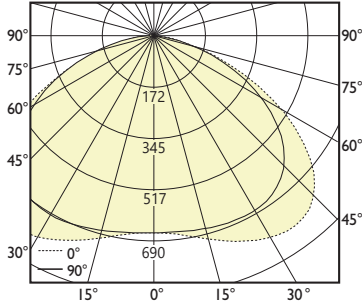
**i** All IES files are available for download at: [www.axislighting.com](http://www.axislighting.com)

# Flexible Ambient 1x4 | Recessed

## ● PHOTOMETRIC DATA

### PHOTOMETRIC CURVE

Wide distribution



**Luminaire Lumens: 2300 lm**  
**Input Watts: 27 W**  
**Efficacy: 85 lm/W**

IES FILE: BCFA-14-2300-80-35-WD-W-120-D.ies  
 TESTED ACCORDING TO IES LM-79-2008

### CANDELA DISTRIBUTION

Vertical Angle	Horizontal Angles				
	0	22.5	45	67.5	90
0	569	569	569	569	569
5	570	571	572	573	573
15	578	581	591	601	606
25	587	595	619	644	654
35	583	596	633	671	689
45	543	558	598	641	664
55	446	456	486	520	541
65	301	304	319	334	345
75	150	150	153	152	153
85	34	35	38	42	45
90	1	2	3	4	4

### ZONAL LUMENS

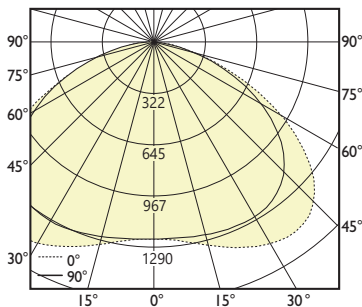
Zone	Lumens
0	
0-10	55
10-20	168
20-30	287
30-40	395
40-50	458
50-60	430
60-70	311
70-80	157
80-90	40
90	

### LUMINANCE DATA (cd/m²)

Vertical Angle	Horizontal Angles		
	0	45	90
45	2303	2538	2817
55	2332	2543	2829
65	2139	2262	2447
75	1743	1776	1771
85	1162	1301	1541

### PHOTOMETRIC CURVE

Wide distribution



**Luminaire Lumens: 4300 lm**  
**Input Watts: 50.5 W**  
**Efficacy: 85 lm/W**

IES FILE: BCFA-14-4300-80-35-WD-W-120-D.ies  
 TESTED ACCORDING TO IES LM-79-2008

### CANDELA DISTRIBUTION

Vertical Angle	Horizontal Angles				
	0	22.5	45	67.5	90
0	1064	1064	1064	1064	1064
5	1066	1067	1069	1071	1071
15	1080	1087	1105	1124	1132
25	1097	1113	1157	1204	1223
35	1089	1115	1183	1254	1287
45	1015	1043	1118	1199	1242
55	833	852	909	973	1011
65	563	568	596	624	645
75	281	281	286	284	286
85	63	65	71	78	84
90	3	4	6	7	8

### ZONAL LUMENS

Zone	Lumens
0	
0-10	102
10-20	315
20-30	536
30-40	739
40-50	855
50-60	803
60-70	581
70-80	293
80-90	75
90	

### LUMINANCE DATA (cd/m²)

Vertical Angle	Horizontal Angles		
	0	45	90
45	4306	4745	5267
55	4359	4754	5288
65	3999	4229	4576
75	3259	3320	3312
85	2173	2433	2881

**i** All IES files are available for download at: [www.axislighting.com](http://www.axislighting.com)