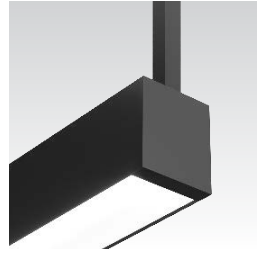
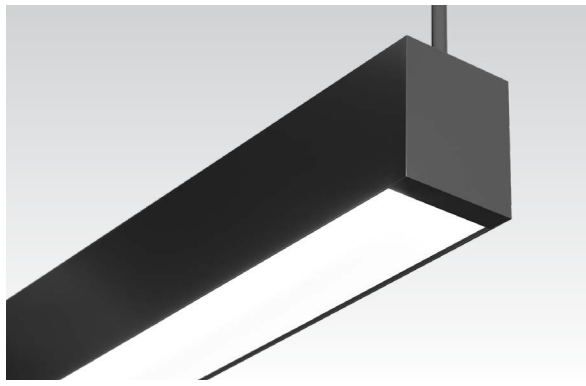


Extend 4

Pendant mount



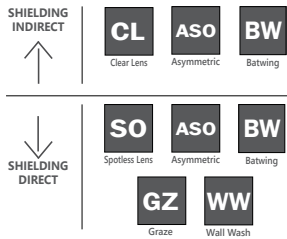
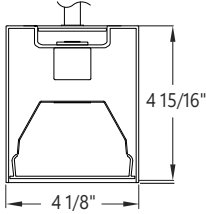
Project _____

Type _____

Notes _____

SA Stem mount shown

RS Rugged stem shown



PERFORMANCE PER LINEAR FOOT AT 3500K, 90 CRI

NOMINAL LUMEN OUTPUT UP	NOMINAL LUMEN OUTPUT DOWN	INPUT WATTS*	EFFICACY	SHIELDING
1200 lm/ft		8.5 W/ft	141 lm/W	CL
1200 lm/ft		9.6 W/ft	125 lm/W	BW
1200 lm/ft		9.1 W/ft	132 lm/W	ASO
	1200 lm/ft	10.1 W/ft	111 lm/W	SO
	1000 lm/ft	9.9 W/ft	100 lm/W	GZ
	1000 lm/ft	9.8 W/ft	102 lm/W	WW
	1000 lm/ft	9.8 W/ft	102 lm/W	ASO
	1200 lm/ft	12 W/ft	100 lm/W	BW

*Please consult factory for custom lumen output and wattage.

Ordering Guide



PRODUCT ID	NOM. LUM/FT UP Skip selection for EX4PD	NOM. LUM/FT DOWN Skip selection for EX4PI	CRI	COLOR TEMP. (choose one)	SHIELDING UP Skip selection for EX4PD	SHIELDING DOWN Skip selection for EX4PI
EX4PDI Extend 4 Pendant Direct / Indirect	400 400 lm/ft - min 1400 1400 lm/ft - max	400 400 lm/ft - Min. 1000 1000 lm/ft - Max for GZ, WW, ASO.* 1200 1200 lm/ft - Max.	90 high efficacy 90 CRI	27 2700 K 30 3000 K 35 3500 K 40 4000 K 50 5000 K	CL Clear lens BW Batwing ASO Asymmetric	SO spotless lens GZ Graze WW Wallwash ASO Asymmetric BW Batwing
Outputs between listed min and max are available. Consult factory for outputs outside of the listed range.		Outputs between listed min and max are available. * 1000 lm/ft max. only for GZ, WW and ASO. Consult factory for outputs outside of the listed range.				

LENGTH (FT)	FINISH	VOLTAGE	DRIVER	CIRCUITS
2 2' * 3 3' 4 4' 5 5' 6 6' 7 7' 8 8' 12 12' S(L) System Run	AP aluminum paint W white BLK black C custom	120 120 V 277 277 V 347 347 V* UNV universal	DP dimming (0-10V) 1% temp. range -22°F - +104°F (-30°C - +40°C) DPX dimming (0-10V) 1%, extended temp. range -40°F - +122°F (-40°C - +50°C) LT(#) Lutron* BI bi-level dimming O(#) other*	1 1 circuit 2 2 circuits +E(#) emergency circuit* +NL(#) night light circuit* +GTD(#) generator transfer device* **
Lengths are nominal. Exact lengths can be specified, please consult factory. * Not available with EX4PDI		*Remote surge protection device only.	Integral drivers standard, remote drivers available for environments outside of driver operating temperature range or where fixture access may be limited. See page 2 for more details. * Please consult factory; see page 2.	*Specify quantity. ** 120V and 277V only. Please specify.

MOUNTING/SUSPENSION	BATTERY (OPTIONAL)	IC CONTROLS (OPT.)	OTHER (OPTIONAL)	CUSTOM (OPTIONAL)
SA(#) drywall+stem length <36" (18" std.) SASL(#) drywall stem sloped ceiling* RS(#) rugged stem (for stem length above 36", or for any stem length in extreme conditions)	B(#) battery pack (integral)* BR(#) battery pack (remote)**	OS(#) occupancy sensor	+EF end feed* +TF top feed* ** +N natatorium finish	C custom
See Mounting kit guide for full specification code. White canopy standard * Not recommended for outdoor applications.	*Minimum 3ft. **Dry or damp location. Please consult factory.	Specify quantity. Requires 8" blank. See Integrated controls guide for more details.	* See page 3 for more details. ** Not available with EX4PDI or EX4PI.	Please specify

● CONSTRUCTION

Housing	Extruded aluminum (0.08" nominal) Up to 70% recycled content
End Cap	Cast aluminum
Interior Brackets	Die formed sheet steel (18 gauge)
Gaskets	Silicone rubber
Lens Gaskets	Extruded elastomer
Lens	Extruded acrylic
Fasteners	All external fasteners are tamper proof TORX T15

● OPTICS

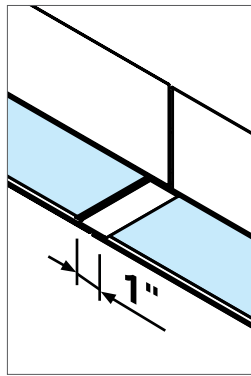


SO	Spotless lens;
ASO	Asymmetric Spotless lens;
WW	Wallwash;
BW	Batwing;
GZ	Graze.

Impact modified PMMA lens used for all shielding options.

● SYSTEM (S(L))

Lengths of 2'-12' standalone are available. Runs of EXTEND 4 that are greater than 12' in length are designated as systems (S(L)). System runs are comprised of a combination of 4' to 8' sections to be assembled on site using our joining system which includes a 1" sealed joiner plate. For more information on systems and joining, please refer to the EXTEND 4 installation sheets available for download at www.axislighting.com.



● WEIGHT

4 ft	13 lbs / 5.9 kg
8 ft	26 lbs / 11.8 kg
12 ft	39 lbs / 17.7 kg

● FINISH

Powder coated, custom finishes are available.

● OTHER MOUNTING OPTIONS

EXTEND 2 is also available with surface, wall and recessed mount options.

i Specification sheets and installation sheets for all mountings for EXTEND 2 luminaires are available for download at www.axislighting.com

● WARRANTY

Limited 5-year warranty is available. Warranty is valid provided luminaires are installed and used according to specifications. For full terms and conditions, please consult warranty section at axislighting.com.

● ELECTRICAL

DP	0-10V dimming driver. Ambient operating temperature -22°F - 104°F (-30°C - +40°C)
DPX	0-10V dimming driver with extended temperature range -40°F - 122°F (-40°C - +50°C)
Lutron driver	LDE1 - Hi-lume 1% EcoSystem with Soft-on, Fade-to-Black (min ambient operating temperature - 32°F (0°C)).
Other drivers	DALI* - Digital Addressable Lighting Interface DMX* - Digital Multiplex Xitanium SR* - For wireless sensor

* Ambient operating range: -4°F - 104°F (-20°C - +40°C)

Emergency	B(#) Integral Emergency Battery pack, 3ft minimum. Ambient operating temperature -4°F - 122°F(-20° to 50°C) for 120V to 277V; 32°F - 122°F (0°C to 50°C) for 347V BR(#) Remote emergency battery pack operating temperature range -4°F - 122°F (-20°C - +50°C) for 120V to 277V; 32°F - 122°F (0°C - +50°C) for 347V.
Input Voltage	120V, 277V, 347V, UNV.

Surge Protection Extend comes standard with surge protection device.

i Incorporating these components may have limitations or affect the length of the luminaire. Please contact factory for more details.

● LED SYSTEM

CRI	High efficacy 90 color rendering index.
CCT Single Color	Choice of 2700K, 3000K, 3500K, 4000K and 5000K color temperature with a great color consistency (within 3-step MacAdam ellipse). Both within fixture and fixture to fixture.
LED life	Minimum 50,000h with 85% of lumen maintenance in 25°C ambient temperature, in compliance with IES LM-80 testing measurements.
Thermal Management	Aluminum housing acting as the heat sink to maximize life.
Environment	Dry and wet location rated IP66 for outdoor or indoor use. Impact resistant rated IK10. For extreme temperature environments, please contact factory. Remote drivers available for environments outside of driver operating temperature range or where fixture access may be limited. Ambient operating temperature range for fixtures with remote drivers -40°F to +167°F (-40°C - +75°C).

● APPROVALS

Certified wet locations to UL and CUL standards.
IP66 and IK10 rated.

Declare.

**Beam, Sculpt & Extend linear family
Axis Lighting**

Final Assembly: Montreal, Quebec, Canada
Life Expectancy: 20 Year(s)
End of Life Options: Recyclable (87.5%), Landfill (12.5%)

Ingredients:
Aluminum 6063; Polymethyl methacrylate; 18-8 Stainless Steel; Copper; Silicon; Polyester Resin; Bicyclo[2.2.1]hept-2-ene, 5-ethylidene-, polymer with ethene and 1-propene; Titanium dioxide; Ammonium polyphosphate; Calcium Carbonate; 1-Propene, homopolymer, isotactic; Proprietary (RLF) (< 0.065%); 1,3,5-Triglycidyl-s-triazinetriene; Barium sulfate

LBC Temp. Exception RL-004b - Proprietary Ingredients in Declare

Living Building Challenge Criteria: Compliant

I-13 Red List:
 LBC Red List Free % Disclosed: 99.94% at 100ppm
 LBC Red List Approved VOC Content: Not Applicable
 Declared

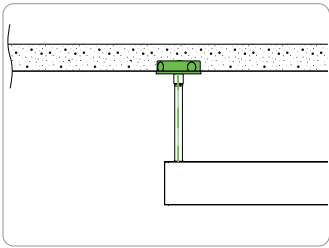
I-10 Interior Performance: Not Applicable
I-14 Responsible Sourcing: Not Applicable

AXS-0002
EXP. 01 APR 2027
Original Issue Date: 2026

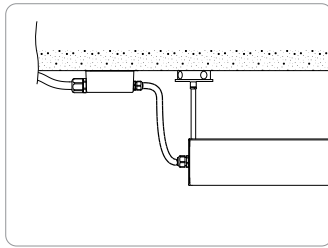
MANUFACTURER RESPONSIBLE FOR LABEL ACCURACY
INTERNATIONAL LIVING FUTURE INSTITUTE™ living-future.org/declare

● MOUNTING OPTIONS

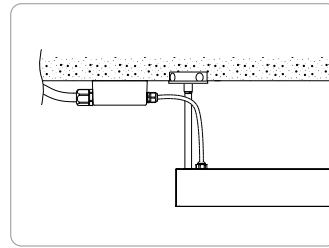
SA STEM MOUNT IN SOLID CEILING



POWER THROUGH STEM (STANDARD)



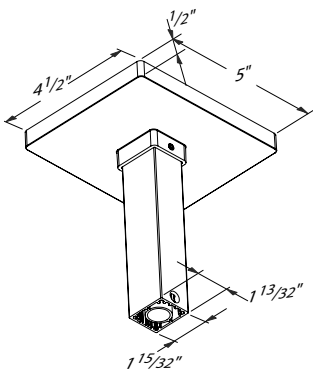
EF END FEED (OPTIONAL)



TF TOP FEED (OPTIONAL)

* Not available with EX4PDI or EX4PI.

RUGGED STEM DIMENSIONS

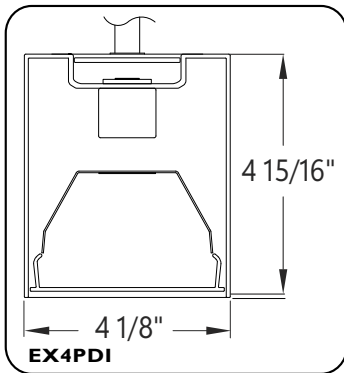


● SURFACE AREA FOR EPA CALCULATIONS

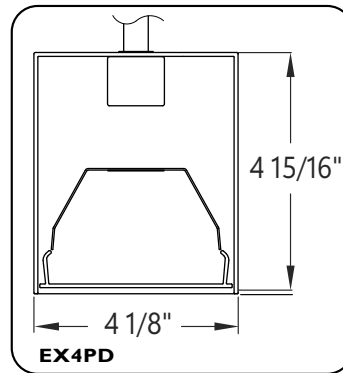
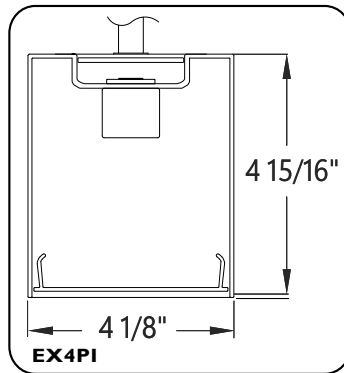
Extend 4 Surface Area (Excluding mounting hardware)	Fixture Length		
	24 in	48 in	96 in
Top	99 in ²	198 in ²	396 in ²
Front	119 in ²	237 in ²	474 in ²
Side	20 in ²	20 in ²	20 in ²

● SECTION VIEWS

CL Clear lens
ASO Asymm. lens
BW Batwing lens



CL Clear lens
ASO Asymm. lens
BW Batwing lens



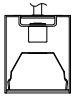
SO Spotless lens
ASO Asymm. lens
GZ Graze lens
WW Wallwash lens
BW Batwing lens

SO Spotless lens
ASO Asymm. lens
GZ Graze lens
WW Wallwash lens
BW Batwing lens

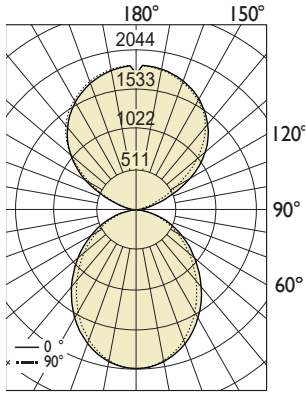
● PHOTOMETRIC DATA - DIRECT / INDIRECT

CL Clear lens - Up
SO spotless lens - Down

Uplight
1200 lm/ft
Downlight
1200 lm/ft



PHOTOMETRIC CURVE



Lumen/ft up: 1200 lm/ft
Lumen/ft down: 1200 lm/ft
Total Lumens: 9570 lm (for 4ft)
Input Watts: 76.9 W
Efficacy: 124 lm/W

IES FILE: EX4PDI-1200-1200-90-35-CL-SO-4.ies

TESTED ACCORDING TO IES LM-79-2019

CANDELA DISTRIBUTION

Vertical Angle	Horizontal Angles				
	0	22.5	45	67.5	90
0	2044	2044	2044	2044	2044
5	2031	2030	2029	2027	2029
15	1924	1919	1910	1896	1895
25	1723	1711	1691	1660	1654
35	1454	1437	1404	1366	1355
45	1148	1130	1098	1058	1046
55	838	823	800	765	755
65	544	535	519	492	485
75	270	265	259	241	239
85	53	55	57	51	52
90	10	9	9	8	8
95	44	35	15	13	12
105	226	210	177	130	116
115	577	545	487	413	391
125	990	955	905	830	807
135	1306	1289	1277	1242	1226
145	1539	1528	1524	1517	1515
155	1706	1698	1694	1686	1683
165	1811	1806	1803	1798	1796
175	1858	1856	1854	1852	1852
180	1751	1751	1751	1751	1751

ZONAL LUMENS

Zone	Lumens
0	
0-10	192
10-20	537
20-30	776
30-40	877
40-50	845
50-60	710
60-70	507
70-80	268
80-90	65
90	
90-100	38
100-110	204
110-120	489
120-130	784
130-140	943
140-150	918
150-160	754
160-170	492
170-180	171
180	

LUMINANCE DATA (cd/m²)

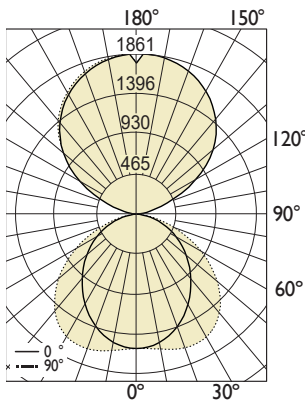
Vertical Angle	Horizontal Angles		
	0	45	90
45	13320	12745	12135
55	11987	11449	10801
65	10560	10085	9413
75	8546	8207	7591
85	4993	5326	4885

CL Clear lens - Up
BW Batwing lens - Down

Uplight
1200 lm/ft
Downlight
1200 lm/ft



PHOTOMETRIC CURVE



Lumen/ft up: 1200 lm/ft
Lumen/ft down: 1200 lm/ft
Total Lumens: 9579 lm (for 4ft)
Input Watts: 81.9 W
Efficacy: 117 lm/W

IES FILE: EX4PDI-1200-1200-90-35-CL-BW-4.ies

TESTED ACCORDING TO IES LM-79-2019

CANDELA DISTRIBUTION

Vertical Angle	Horizontal Angles				
	0	22.5	45	67.5	90
0	1557	1557	1557	1557	1557
5	1547	1547	1553	1561	1563
15	1457	1479	1540	1599	1621
25	1298	1359	1502	1614	1656
35	1093	1196	1402	1541	1587
45	872	991	1224	1345	1378
55	649	758	968	1047	1061
65	429	507	658	689	683
75	218	255	334	326	315
85	44	55	68	60	62
90	10	10	11	12	12
95	44	35	15	13	12
105	226	210	177	130	116
115	577	545	487	413	391
125	990	955	905	830	807
135	1306	1289	1277	1242	1226
145	1539	1528	1524	1517	1515
155	1706	1698	1694	1686	1683
165	1811	1806	1803	1798	1796
175	1858	1856	1854	1852	1852
180	1751	1751	1751	1751	1751

ZONAL LUMENS

Zone	Lumens
0	
0-10	149
10-20	437
20-30	688
30-40	855
40-50	897
50-60	800
60-70	585
70-80	305
80-90	70
90	
90-100	38
100-110	204
110-120	489
120-130	784
130-140	943
140-150	918
150-160	754
160-170	492
170-180	171
180	

LUMINANCE DATA (cd/m²)

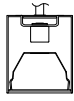
Vertical Angle	Horizontal Angles		
	0	45	90
45	10122	14209	15996
55	9288	13846	15174
65	8330	12785	13267
75	6903	10584	10000
85	4145	6416	5811

i All IES files are available for download at: www.axislighting.com

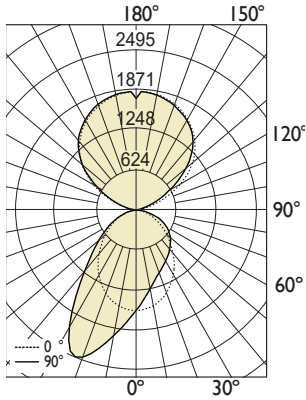
● PHOTOMETRIC DATA - DIRECT / INDIRECT

CL Clear lens - Up
WW Wallwash lens - Down

Uplight
1200 lm/ft
Downlight
1000 lm/ft



PHOTOMETRIC CURVE



Lumen/ft up: 1200 lm/ft
Lumen/ft down: 1000 lm/ft
Total Lumens: 8776 lm (for 4ft)
Input Watts: 73.1 W
Efficacy: 120 lm/W

IES FILE: EX4PDI-1200-1000-80-35-CL-WW-4.ies

TESTED ACCORDING TO IES LM-79-2019

CANDELA DISTRIBUTION

Vertical Angle	Horizontal Angles				
	0	22.5	45	67.5	90
0	1573	1573	1573	1573	1573
5	1564	1496	1450	1411	1405
15	1470	1297	1200	1148	1137
25	1286	1070	995	979	983
35	1042	852	827	854	874
45	775	645	664	722	760
55	532	460	495	586	641
65	329	294	329	425	475
75	159	146	170	225	251
85	31	32	40	43	46
90	9	10	11	11	11
95	44	35	15	13	12
105	226	210	177	130	116
115	577	545	487	413	391
125	990	955	905	830	807
135	1306	1289	1277	1242	1226
145	1539	1528	1524	1517	1515
155	1706	1698	1694	1686	1683
165	1811	1806	1803	1798	1796
175	1858	1856	1854	1852	1852
180	1751	1751	1751	1751	1751

ZONAL LUMENS

Zone	Lumens
0	
0-10	150
10-20	447
20-30	703
30-40	786
40-50	706
50-60	560
60-70	386
70-80	199
80-90	48
90	
90-100	38
100-110	204
110-120	489
120-130	784
130-140	943
140-150	918
150-160	754
160-170	492
170-180	171
180	

LUMINANCE DATA (cd/m²)

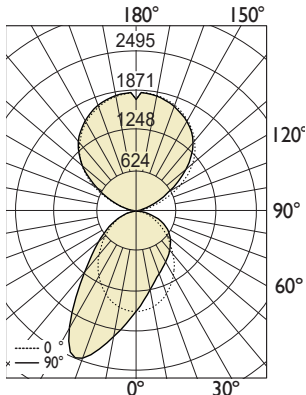
Vertical Angle	Horizontal Angles		
	0	45	90
45	8991	7701	8824
55	7615	7081	9167
65	6382	6396	9217
75	5054	5381	7949
85	2927	3774	4312

CL Clear lens - Up
ASO Asymmetric lens - Down

Uplight
1200 lm/ft
Downlight
1000 lm/ft



PHOTOMETRIC CURVE



Lumen/ft up: 1200 lm/ft
Lumen/ft down: 1000 lm/ft
Total Lumens: 8776 lm (for 4ft)
Input Watts: 73.1 W
Efficacy: 120 lm/W

IES FILE: EX4PDI-1200-1000-90-35-CL-ASO-4.ies

TESTED ACCORDING TO IES LM-79-2019

CANDELA DISTRIBUTION

Vertical Angle	Horizontal Angles				
	0	22.5	45	67.5	90
0	1573	1573	1573	1573	1573
5	1564	1496	1450	1411	1405
15	1470	1297	1200	1148	1137
25	1286	1070	995	979	983
35	1042	852	827	854	874
45	775	645	664	722	760
55	532	460	495	586	641
65	329	294	329	425	475
75	159	146	170	225	251
85	31	32	40	43	46
90	9	10	11	11	11
95	44	35	15	13	12
105	226	210	177	130	116
115	577	545	487	413	391
125	990	955	905	830	807
135	1306	1289	1277	1242	1226
145	1539	1528	1524	1517	1515
155	1706	1698	1694	1686	1683
165	1811	1806	1803	1798	1796
175	1858	1856	1854	1852	1852
180	1751	1751	1751	1751	1751

ZONAL LUMENS

Zone	Lumens
0	
0-10	150
10-20	447
20-30	703
30-40	786
40-50	706
50-60	560
60-70	386
70-80	199
80-90	48
90	
90-100	38
100-110	204
110-120	489
120-130	784
130-140	943
140-150	918
150-160	754
160-170	492
170-180	171
180	

LUMINANCE DATA (cd/m²)

Vertical Angle	Horizontal Angles		
	0	45	90
45	8991	7701	8824
55	7615	7081	9167
65	6382	6396	9217
75	5054	5381	7949
85	2927	3774	4312

i All IES files are available for download at: www.axislighting.com

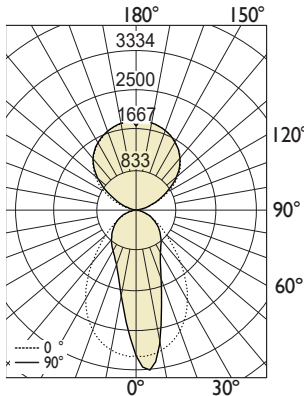
● PHOTOMETRIC DATA - DIRECT / INDIRECT

CL Clear lens - **Up**
GZ Graze lens - **Down**

Uplight
1200 lm/ft
 Downlight
1000 lm/ft



PHOTOMETRIC CURVE



Lumen/ft up: 1200 lm/ft
Lumen/ft down: 1000 lm/ft
Total Lumens: 8750 lm (for 4ft)
Input Watts: 73.6 W
Efficacy: 119 lm/W
 IES FILE: EX4PDI-1200-1000-90-35-CL-GZ-4.ies

TESTED ACCORDING TO IES LM-79-2019

CANDELA DISTRIBUTION

Vertical Angle	Horizontal Angles				
	0	22.5	45	67.5	90
0	3026	3026	3026	3026	3026
5	3024	2747	2528	2349	2312
15	2842	2097	1643	1427	1376
25	2431	1523	1165	1066	1049
35	1810	1100	906	878	877
45	1134	779	703	709	726
55	656	515	509	551	579
65	358	314	326	379	409
75	160	152	164	195	210
85	32	34	39	37	37
90	10	10	10	9	8
95	44	35	15	13	12
105	226	210	177	130	116
115	577	545	487	413	391
125	990	955	905	830	807
135	1306	1289	1277	1242	1226
145	1539	1528	1524	1517	1515
155	1706	1698	1694	1686	1683
165	1811	1806	1803	1798	1796
175	1858	1856	1854	1852	1852
180	1751	1751	1751	1751	1751

ZONAL LUMENS

Zone	Lumens
0	
0-10	266
10-20	600
20-30	703
30-40	701
40-50	623
50-60	497
60-70	345
70-80	179
80-90	43
90	
90-100	38
100-110	204
110-120	489
120-130	784
130-140	943
140-150	918
150-160	754
160-170	492
170-180	171
180	

LUMINANCE DATA (cd/m²)

Vertical Angle	Horizontal Angles		
	0	45	90
45	13158	8157	8425
55	9388	7284	8287
65	6961	6339	7936
75	5087	5196	6667
85	2988	3674	3438

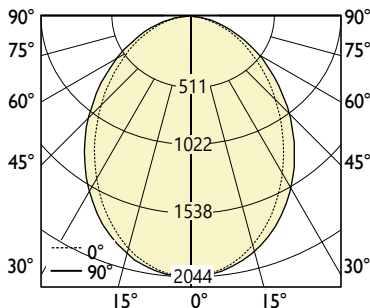
● PHOTOMETRIC DATA - DIRECT

SO Spotless lens

1200 lm/ft



PHOTOMETRIC CURVE



Lumen/ft: 1200 lm/ft
Total Lumens: 4778 lm (for 4ft)
Input Watts: 43 W
Efficacy: 111 lm/W
 IES FILE: EX4PD-1200-90-35-SO-4.IES

TESTED ACCORDING TO IES LM-79-2019

CANDELA DISTRIBUTION

Vertical Angle	Horizontal Angles				
	0	22.5	45	67.5	90
0	2044	2044	2044	2044	2044
5	2031	2030	2029	2027	2029
15	1924	1919	1910	1896	1895
25	1723	1711	1691	1660	1654
35	1454	1437	1404	1366	1355
45	1148	1130	1098	1058	1046
55	838	823	800	765	755
65	544	535	519	492	485
75	270	265	259	241	239
85	53	55	57	51	52
90	4	4	4	4	4

ZONAL LUMENS

Zone	Lumens
0	
0-10	192
10-20	537
20-30	776
30-40	877
40-50	845
50-60	710
60-70	507
70-80	268
80-90	64
90	

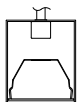
LUMINANCE DATA (cd/m²)

Vertical Angle	Horizontal Angles		
	0	45	90
45	13853	13256	12621
55	12467	11907	11233
65	10983	10489	9790
75	8889	8536	7895
85	5193	5539	5081

i All IES files are available for download at: www.axislighting.com

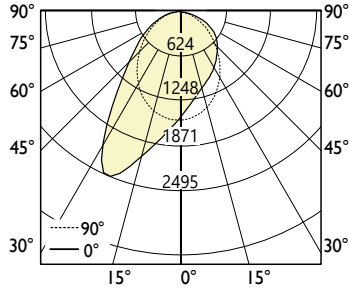
● PHOTOMETRIC DATA - DIRECT

WW Wallwash lens



1000 lm/ft

PHOTOMETRIC CURVE



Lumen/ft: 1000 lm/ft
Total Lumens: 3984 lm (for 4ft)
Input Watts: 39.2 W
Efficacy: 102 lm/W
 IES FILE: EX4PD-1000-80-35-WW-4.IES

TESTED ACCORDING TO IES LM-79-2019

CANDELA DISTRIBUTION

Vertical Angle	Horizontal Angles				
	0	22.5	45	67.5	90
0	1573	1573	1573	1573	1573
5	1564	1496	1450	1411	1405
15	1470	1297	1200	1148	1137
25	1286	1070	995	979	983
35	1042	852	827	854	874
45	775	645	664	722	760
55	532	460	495	586	641
65	329	294	329	425	475
75	159	146	170	225	251
85	31	32	40	43	46
90	4	5	6	6	6

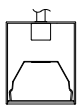
ZONAL LUMENS

Zone	Lumens
0	
0-10	150
10-20	447
20-30	703
30-40	786
40-50	706
50-60	560
60-70	386
70-80	199
80-90	47
90	

LUMINANCE DATA (cd/m²)

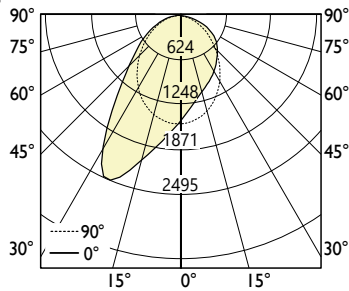
Vertical Angle	Horizontal Angles		
	0	45	90
45	9226	7902	9054
55	7814	7266	9406
65	6549	6563	9457
75	5186	5521	8157
85	3004	3873	4425

ASO Asy. Flush Lens



1000 lm/ft

PHOTOMETRIC CURVE



Lumen/ft: 1000 lm/ft
Total Lumens: 3984 lm (for 4ft)
Input Watts: 39.2 W
Efficacy: 102 lm/W
 IES FILE: EX4PD-1000-80-35-ASO-4.IES

TESTED ACCORDING TO IES LM-79-2019

CANDELA DISTRIBUTION

Vertical Angle	Horizontal Angles				
	0	22.5	45	67.5	90
0	1573	1573	1573	1573	1573
5	1564	1496	1450	1411	1405
15	1470	1297	1200	1148	1137
25	1286	1070	995	979	983
35	1042	852	827	854	874
45	775	645	664	722	760
55	532	460	495	586	641
65	329	294	329	425	475
75	159	146	170	225	251
85	31	32	40	43	46
90	4	5	6	6	6

ZONAL LUMENS

Zone	Lumens
0	
0-10	150
10-20	447
20-30	703
30-40	786
40-50	706
50-60	560
60-70	386
70-80	199
80-90	47
90	

LUMINANCE DATA (cd/m²)

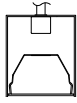
Vertical Angle	Horizontal Angles		
	0	45	90
45	9226	7902	9054
55	7814	7266	9406
65	6549	6563	9457
75	5186	5521	8157
85	3004	3873	4425

i All IES files are available for download at: www.axislighting.com

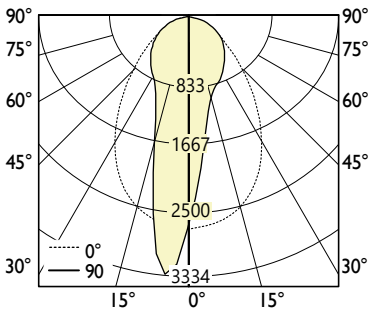
● PHOTOMETRIC DATA - DIRECT

GZ Graze lens

1000 lm/ft



PHOTOMETRIC CURVE



Lumen/ft: 1000 lm/ft
Total Lumens: 3957 lm (for 4ft)
Input Watts: 39.7 W
Efficacy: 100 lm/W

IES FILE: EX4PD-1000-80-35-GZ-4.IES

TESTED ACCORDING TO IES LM-79-2019

CANDELA DISTRIBUTION

Vertical Angle	Horizontal Angles				
	0	22.5	45	67.5	90
0	3026	3026	3026	3026	3026
5	3024	2747	2528	2349	2312
15	2842	2097	1643	1427	1376
25	2431	1523	1165	1066	1049
35	1810	1100	906	878	877
45	1134	779	703	709	726
55	656	515	509	551	579
65	358	314	326	379	409
75	160	152	164	195	210
85	32	34	39	37	37
90	4	5	5	4	4

ZONAL LUMENS

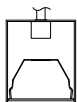
Zone	Lumens
0	
0-10	266
10-20	600
20-30	703
30-40	701
40-50	623
50-60	497
60-70	345
70-80	179
80-90	42
90	

LUMINANCE DATA (cd/m²)

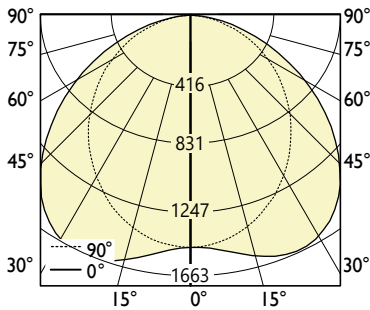
Vertical Angle	Horizontal Angles		
	0	45	90
45	13502	8371	8645
55	9633	7475	8503
65	7143	6505	8143
75	5219	5331	6841
85	3066	3770	3528

BW Batwing lens

1200 lm/ft



PHOTOMETRIC CURVE



Lumen/ft: 1200 lm/ft
Total Lumens: 4786 lm (for 4ft)
Input Watts: 48 W
Efficacy: 100 lm/W

IES FILE: EX4PD-1200-80-35-BW-4.IES

TESTED ACCORDING TO IES LM-79-2019

CANDELA DISTRIBUTION

Vertical Angle	Horizontal Angles				
	0	22.5	45	67.5	90
0	1557	1557	1557	1557	1557
5	1547	1547	1553	1561	1563
15	1457	1479	1540	1599	1621
25	1298	1359	1502	1614	1656
35	1093	1196	1402	1541	1587
45	872	991	1224	1345	1378
55	649	758	968	1047	1061
65	429	507	658	689	683
75	218	255	334	326	315
85	44	55	68	60	62
90	5	5	6	7	8

ZONAL LUMENS

Zone	Lumens
0	
0-10	149
10-20	437
20-30	688
30-40	855
40-50	897
50-60	800
60-70	585
70-80	305
80-90	69
90	

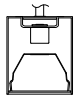
LUMINANCE DATA (cd/m²)

Vertical Angle	Horizontal Angles		
	0	45	90
45	10386	14580	16414
55	9531	14208	15570
65	8548	13119	13614
75	7083	10861	10261
85	4253	6584	5962

i All IES files are available for download at: www.axislighting.com

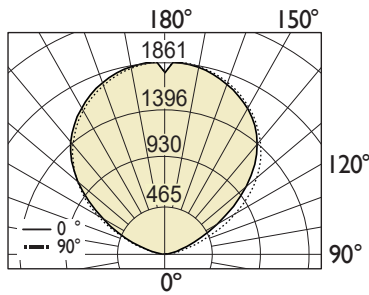
● PHOTOMETRIC DATA - INDIRECT

CL Clear lens



1 200 lm/ft

PHOTOMETRIC CURVE



Lumen/ft 1200 lm/ft
Luminaire Lumens: 4791 lm
Input Watts: 33.9 W
Efficacy: 141 lm/W

IES FILE: EX4PI-1200-80-35-CL-4.ies

TESTED ACCORDING TO IES LM-79-2019

CANDELA DISTRIBUTION

Vertical Angle	Horizontal Angles				
	0	22.5	45	67.5	90
90	5	5	5	4	4
95	44	35	15	13	12
105	226	210	177	130	116
115	577	545	487	413	391
125	990	955	905	830	807
135	1306	1289	1277	1242	1226
145	1539	1528	1524	1517	1515
155	1706	1698	1694	1686	1683
165	1811	1806	1803	1798	1796
175	1858	1856	1854	1852	1852
180	1751	1751	1751	1751	1751

ZONAL LUMENS

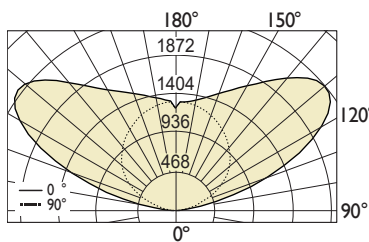
Zone	Lumens
90	
90-100	38
100-110	204
110-120	489
120-130	784
130-140	943
140-150	918
150-160	754
160-170	492
170-180	171
180	

BW Batwing lens



1 200 lm/ft

PHOTOMETRIC CURVE



Lumen/ft 1200 lm/ft
Luminaire Lumens: 4787 lm
Input Watts: 38.2 W
Efficacy: 125 lm/W

IES FILE: EX4PI-1200-80-35-BW-4.ies

TESTED ACCORDING TO IES LM-79-2019

CANDELA DISTRIBUTION

Vertical Angle	Horizontal Angles				
	0	22.5	45	67.5	90
90	4	5	6	7	7
95	48	49	54	40	37
105	204	232	389	538	571
115	412	486	815	1189	1293
125	597	696	1100	1607	1788
135	732	824	1149	1587	1766
145	839	906	1118	1377	1488
155	929	961	1078	1205	1257
165	993	999	1041	1086	1104
175	1026	1023	1024	1028	1029
180	968	968	968	968	968

ZONAL LUMENS

Zone	Lumens
90	
90-100	83
100-110	423
110-120	819
120-130	998
130-140	897
140-150	692
150-160	489
160-170	290
170-180	96
180	

i All IES files for other lamping are available for download at: www.axislighting.com

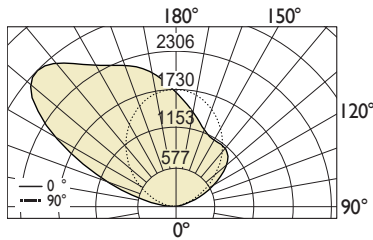
● PHOTOMETRIC DATA - INDIRECT

ASO Asymmetric lens



1200 lm/ft

PHOTOMETRIC CURVE



Lumen/ft 1200 lm/ft
Luminaire Lumens: 4795 lm
Input Watts: 36.2 W
Efficacy: 132 lm/W

IES FILE: EX4PI-1200-80-35-ASO-4.ies

TESTED ACCORDING TO IES LM-79-2019

CANDELA DISTRIBUTION

Vertical Angle	Horizontal Angles				
	0	22.5	45	67.5	90
90	5	5	7	8	8
95	41	43	47	40	39
105	169	180	206	207	211
115	357	377	433	456	466
125	578	573	659	714	736
135	806	737	797	880	914
145	1020	892	875	912	933
155	1200	1058	991	964	960
165	1331	1218	1150	1107	1096
175	1395	1350	1316	1292	1287
180	1397	1397	1397	1397	1397

ZONAL LUMENS

Zone	Lumens
90	
90-100	78
100-110	324
110-120	654
120-130	903
130-140	925
140-150	786
150-160	604
160-170	387
170-180	133
180	

i All IES files for other lamping are available for download at: www.axislighting.com