

Beam 2 Square



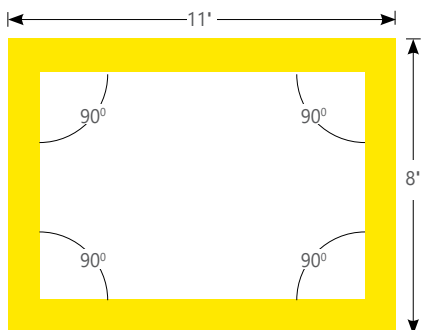
RGB+W - PENDANT MOUNT REGULAR LIT CORNER PATTERNS

* Please see page 2 for example on how to specify various right angle patterns.

Project _____

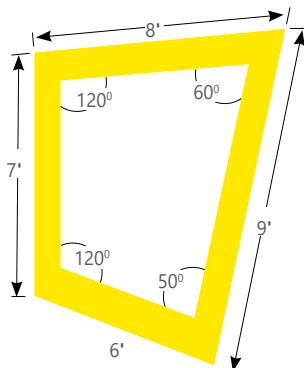
Type _____

Notes _____



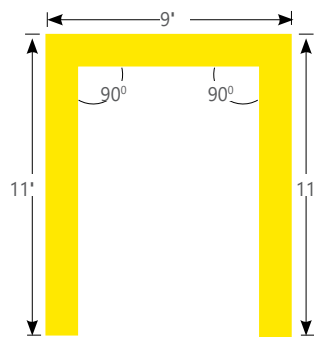
B2SQDLEDPAT	R (11'X8')
PRODUCT ID	PATTERNS AND LENGTH

TOP VIEW - Rectangle Corner Pattern



B2SQDLEDPAT	FF(30)	OPR(120+60+50+120)
PRODUCT ID	PATTERNS AND LENGTH	CORNER DEGREES

TOP VIEW - Corner Pattern



B2SQDLEDPAT	U (9'X11'X11')
PRODUCT ID	PATTERNS AND LENGTH

TOP VIEW - Open Shape Corner Pattern

IMPORTANT! – all corner patterns must be submitted with drawings indicating dimensions and angles degree.

Ordering Guide



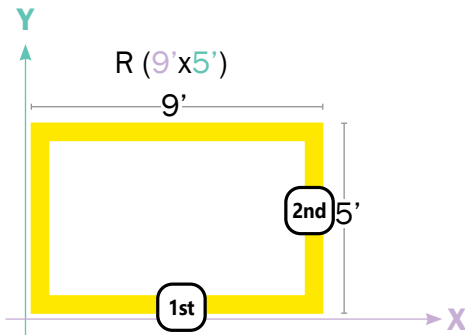
PRODUCT ID	PATTERNS AND LENGTH (SELECT ONE)	CORNER DEGREES (OPT.)	NOM. LUM/FT UP (Skip selection for direct only B2SQDLEDPAT)
B2SQDLEDPAT	S(L)* square shape (length) R(LxL)* rectangular shape (length)	FF(L) total pattern length	1300 1300 lm/ft
B2SQILEDPAT	U(LxLxL)* U shape (length) L(LxL)* L shape (length) T(LxLxL)* T shape (length) X(LxLxLxL)* X shape (length)	OPR(#) regular lit corner degrees	
	*Comes in 90 degree only. 4 foot side minimum. 3" increments.	FREE FORM for various angles. 4 foot side minimum. 3" increments.	Specify for FF option only. Please confirm corner degrees. Min 30°

NOM. LUM/FT DOWN (Skip selection for indirect only B2SQILEDPAT)	CRI	COLOR TEMP. (choose one)	SHIELDING INDIRECT (Skip selection for direct only B2SQDLEDPAT)	SHIELDING DIRECT (Skip selection for indirect only B2SQILEDPAT)	SPECIFY LENGTH	FINISH
1200 1200 lm/ft 1000 1000 lm/ft - for GZ, NW, WW, ASO, BW	90 high efficacy 90 CRI	CTRGBW30 RGB+30K White - Color Tuning CTRGBW35 RGB+35K White - Color Tuning CTRGBW40 RGB+40K White - Color Tuning	SO spotless lens 0.25G 0.25" Glo lens	SO spotless lens 0.25G 0.25" Glo lens 1M StepLens, lum. end cap ASO asymmetric, flush only BW batwing, flush only NW narrow, flush only GZ graze, flush only WW wallwash, flush only	NL nominal EX exact	AP aluminum paint W white BLK black C custom
		Available with CT(DMX) driver only.	Choose only one of the options above.			

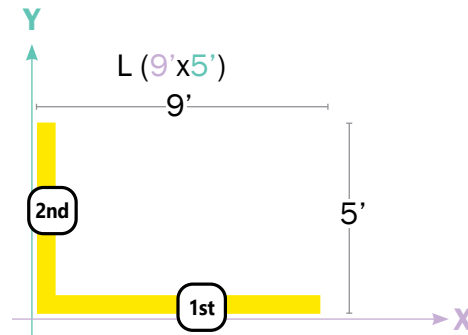
VOLTAGE	CT(DMX) DRIVER	CIRCUITS	MOUNTING/SUSPENSION	CUSTOM (OPTIONAL)
120 120V 277 277V UNV universal	CT(DMX) color tuning driver	1 1 circuit +E(#) emergency circuit *	CA(#) drywall+cable length (36"std) CT9(#) TB/TG 9/16+cable length (36" std.) CT15(#) TB/TG15/16+cable length (36" std.) CTS(#) screw slot+cable length (36" std.) SA(#) drywall+stem length>48 (18"std) CASL(#) drywall cable sloped ceiling SASL(#) drywall stem sloped ceiling +SM seismic kit	C custom
		* Specify quantity	See Mounting kit guide for full specification code.	Please specify

How to Specify 90 degree Corners and Patterns

Defining R - Rectangular shape

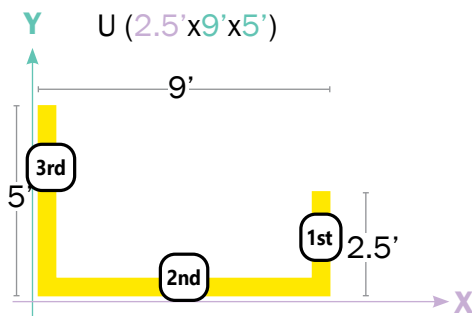


Defining L shape



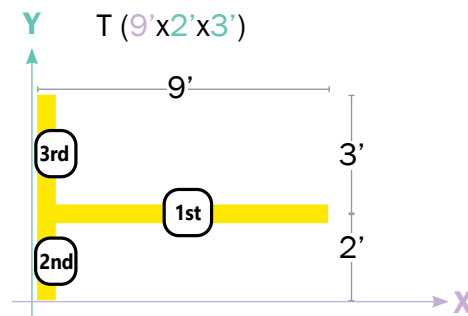
Note: The first number will always define the width, the second - the length.

Defining U shape



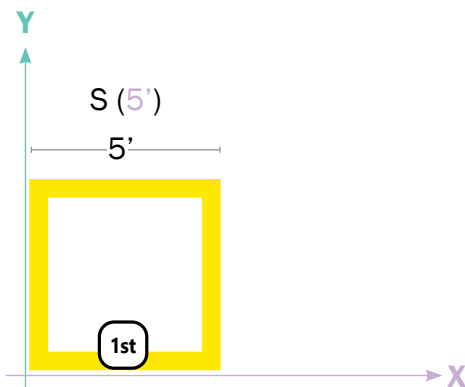
Note: The first number will always define the right arm length, the second - the width, and the third - the left arm length.

Defining T shape



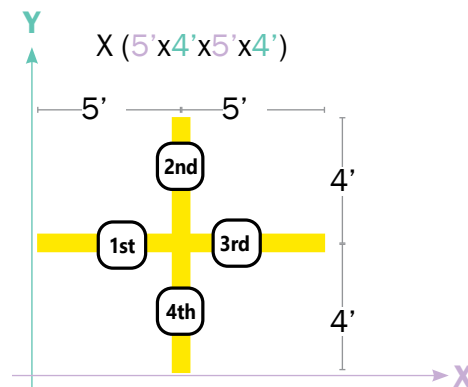
Note: The first number will always define the width, the second - the bottom arm length, and the third - the top arm length.

Defining S - Square shape



Note: The number will define the width. (All sides are the same length).

Defining X shape



Note: The first number will define length of the left arm, the second - the arm length to the right from the first, and so on until the 4th arm.

● LIT CORNER FEATURES

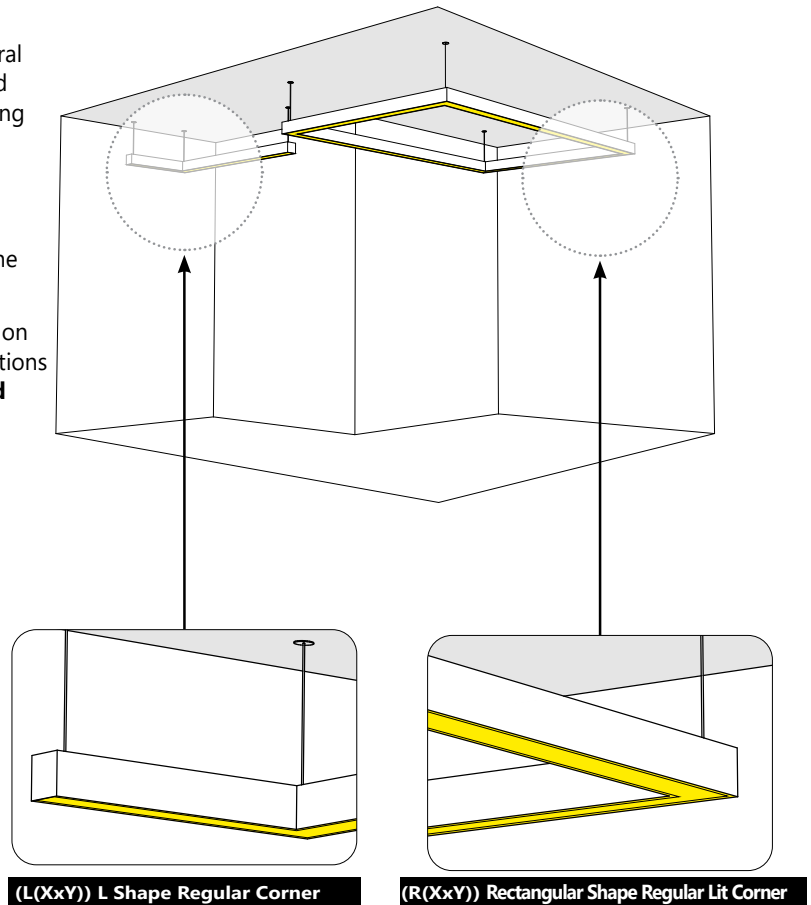
The Lit Corner system allows continuous illumination all the way through the corner section

To optimize corner illumination, lit corners are created as integral components of the linear sections. Linear sections have mitered ends that connect to corresponding mitered ends of neighboring linear sections.

Illuminated Corners are more complex. Because the corner is fully illuminated, the corner is not independent of the straight sections, but integrated into the straight segment's housing. The corner is mitered, allowing a seamless line of light.

Regular Illuminated Corner - A fully illuminated corner that lies on the same plane, for example, the ceiling. There are two corner options available for Regular Lit Corners: **Open Shape Corner** and **Closed Shape Corner**

TIP: Provide sketches illustrating corner types and locations required.



Beam 2 Square

RGB+W - PENDANT MOUNT REGULAR LIT CORNER PATTERNS

● ELECTRICAL

Color Tuning CT driver	DMX - Standard
Emergency	Emergency circuit optional.
Input Voltage	120V, 277V, UNV.

i Incorporating these components may have limitations or affect the length of the luminaire. Please contact factory for more details.

● LED SYSTEM

CRI	High efficacy 90 color rendering index.
CRI Color Tuning	90 CRI for CTRGBW. Note: RGB+W allows you to select the 'white point' (CCT) + CRI, delivering a more flexible and powerful white than standard RGBW.
CCT Color Tuning	30 (3000K) 35 (3500K) 40 (4000K)

CCT Axitune Systems [Consult Axitune technical sheet for more information on color technology.](#)

LED life Minimum 50,000h with 85% of lumen maintenance in 25°C ambient temperature, in compliance with IES LM-80 testing measurements.


Thermal Management Aluminum housing acting as the heat sink to maximize life.

Environment Dry and damp rated for indoor use only in operating ambient temperatures of -20° - +40°C (-4 - +104F).

● WARRANTY

Limited 5-year warranty is available. Warranty is valid provided luminaires are installed and used according to specifications. For full terms and conditions, please consult warranty section at axislighting.com.

● APPROVALS

Certified to UL and CUL standards 
Meets NYC requirements
Meets ADA requirements.
Suitable for damp locations.



**Beam, Sculpt & Extend linear family
Axis Lighting**

Final Assembly: Montreal, Quebec, Canada
Life Expectancy: 20 Year(s)
End of Life Options: Recyclable (87.5%), Landfill (12.5%)

Ingredients:
Aluminum 6063; Polymethyl methacrylate; 18-8 Stainless Steel; Copper; Silicon; Polyester Resin; Bicyclo[2.2.1]hept-2-ene, 5-ethylidene-, polymer with ethene and 1-propene; Titanium dioxide; Ammonium polyphosphate; Calcium Carbonate; 1-Propene, homopolymer, isotactic; Proprietary (RLF) (< 0.065%); 1,3,5-Triglycidyl-s-triazinetriene; Barium sulfate

¹LBC Temp Exception RL-004b - Proprietary Ingredients in Declare

Living Building Challenge Criteria: Compliant

I-13 Red List:
 LBC Red List Free % Disclosed: 99.94% at 100ppm
 LBC Red List Approved VOC Content: Not Applicable
 Declared

I-10 Interior Performance: Not Applicable
I-14 Responsible Sourcing: Not Applicable

AXS-0002
EXP. 01 APR 2027
Original Issue Date: 2026

MANUFACTURED RESPONSIBLY (RFL) LABEL ACCURACY
INTERNATIONAL LIVING FUTURE INSTITUTE™ living-future.org/declare

IMPORTANT – all corner patterns must be submitted with drawings indicating dimensions and angles degree.

