

Project \_\_\_\_\_

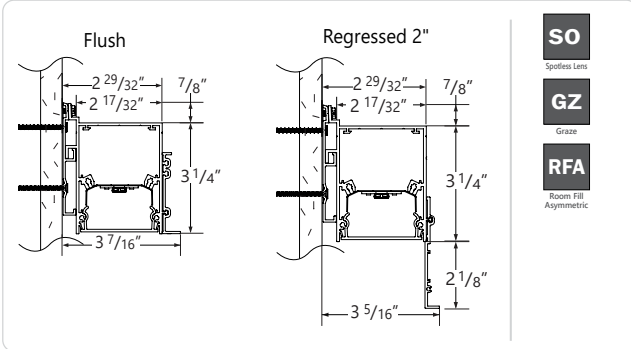
Type \_\_\_\_\_

Notes \_\_\_\_\_

### PERFORMANCE PER LINEAR FOOT

NOMINAL LUMEN OUTPUT	INPUT WATTS*	EFFICACY	SHIELDING
1100 lm/ft	16.4 W/ft	67 lm/W	SO
1000 lm/ft	16.4 W/ft	61 lm/W	GZ

Please consult factory for custom lumen output and wattage.



cULus Listed  
Type I.C.

Listed

### Ordering Guide

B2SQPRLED		NOM. LUMENS/FT		CRI		COLOR TEMP. (choose one)		SHIELDING	
PRODUCT ID									
B2SQPRLED	Linear Perimeter	1100	1100 lm/ft	90	90 CRI	CTRGBW30	RGB+30K White - Color Tuning	SO	spotless lens
	Recessed LED	1000	1000 lm/ft - for GZ, RFA				CTRGBW35		RGB+35K White - Color Tuning
						CTRGBW40	RGB+40K White - Color Tuning	RFA	room fill asymmetric*
								Available with CT(DMX) driver only.	
								* Flush only. Consult factory for other lens.	

SHIELDING POSITION		TOTAL LENGTH	FINISH	VOLTAGE		DRIVER		CIRCUITS		MOUNTING				
FL	flush	(L) total length	W white	120	120 V	CT(DMX)	color tuning driver	1	1 circuit	TB9	t-bar 9/16"			
RG2	2" regressed	total length	C custom	277	277 V						+E(#)	emergency circuit*	TB15	t-bar 15/16"
				UNV	universal									ST
										TG9	tegular 9/16"			
										TG15	tegular 15/16"			
										DF	drywall flange			
										DS	drywall spackle flange			
3" increments are available for lengths over 4 feet. 4 feet min.								* Specify quantity						

END CAP		TYPE (OPTIONAL)		OTHER (OPTIONAL)		CUSTOM (OPT.)	
ECFL	end cap flush with lens	TS(#)	telescopic sections	EF	end feed	C	custom
ECRG2	end cap for 2" regressed*			FW	flex whip (6' std) *		
				CP	Chicago plenum		
* Only available with RG2 regressed position. See page 3 for additional information.		TS section requires min length of 4'. Available on patterns. Recommended for longer runs or if exact perimeter length is not available. See page 2 for more details.		* Other lengths available; please consult factory.		Please specify	

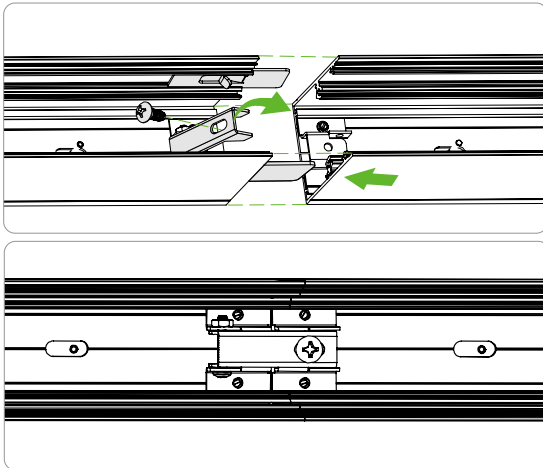
● **SPECIFICATIONS**

**CONSTRUCTION**

<b>Housing</b>	Extruded aluminum (0.075" nominal) Up to 70% recycled content
<b>Interior Brackets</b>	Die formed sheet steel (18 gauge)
<b>Reflectors</b>	White powder coated sheet steel (22 gauge)
<b>Blank</b>	Extruded aluminum (0.075" nominal)
<b>Lens</b>	Spotless frosted acrylic lens
<b>T-Bar Bracket</b>	Die formed sheet steel (16 gauge)
<b>Screw Slot T-Bar Bracket</b>	Die formed sheet steel (16 gauge)
<b>Spackle Flange</b>	Extruded aluminum (0.070")
<b>All Flanges</b>	Extruded aluminum (0.070" nominal)

● **JOINERS**

BEAM 2 SQUARE has steel joiners with wedge alignment for easy installation.



**JOINER SYSTEM**


● **ELECTRICAL**

<b>RGB+W color tuning CT driver</b>	DMX - Standard
<b>Emergency</b>	Emergency circuit optional.
<b>Input Voltage</b>	120V, 277V, UNV.
<b>Flex Whip</b>	Shipped in a separate box for contractors to install
<b>i</b>	Incorporating these components may have limitations or affect the length of the luminaire. Please contact factory for more details.

● **LED SYSTEM**

<b>CRI Color Tuning</b>	90 CRI for CTRGBW. <b>Note: RGB+W allows you to select the 'white point' (CCT) + CRI, delivering a more flexible and powerful white than standard RGBW.</b>
<b>CCT Color Tuning</b>	30 (3000K) 35 (3500K) 40 (4000K) <a href="#">Consult Axitune technical sheet for more information on color technology.</a>
<b>LED life</b>	Minimum 50,000h with 85% of lumen maintenance in 25°C ambient temperature, in compliance with IES LM-80 testing measurements.
<b>Thermal Management</b>	Aluminum housing acting as the heat sink to maximize life.
<b>Environment</b>	Dry and damp rated for indoor use only in operating ambient temperatures of -20° - +40°C (-4 - +104F).

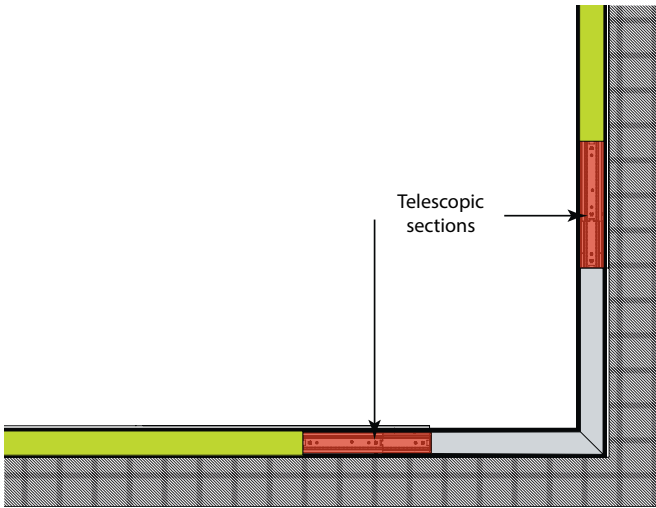
### APPROVALS

Certified to UL and CSA standards   
 Meets CCEC requirements (Chicago plenum)  
 Meets NYC requirements  
 Suitable for damp locations  
 IC Rated (Insulated ceiling)

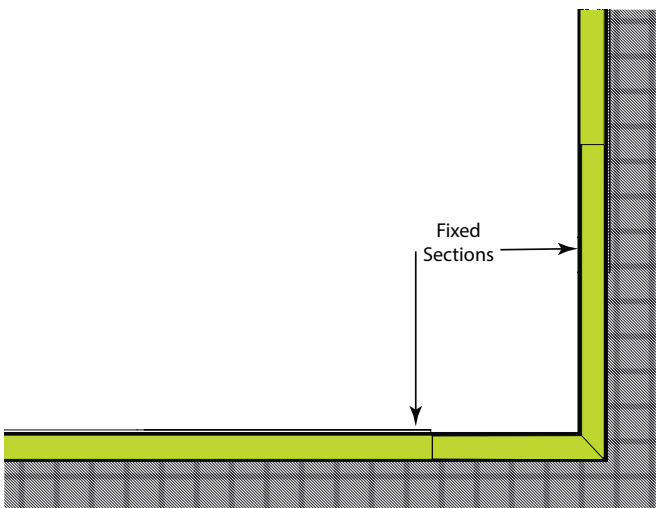
### WEIGHT

<b>Perimeter LED 4 ft</b>	14.5 lbs / 6.6 kg
<b>Perimeter LED 8 ft</b>	29.0 lbs / 13.2 kg
<b>Perimeter LED 12 ft</b>	43.5 lbs / 19.7 kg

### SECTION QUANTITY



**TS TELESCOPIC SECTIONS**



**FS FIXED SECTIONS**

### WARRANTY

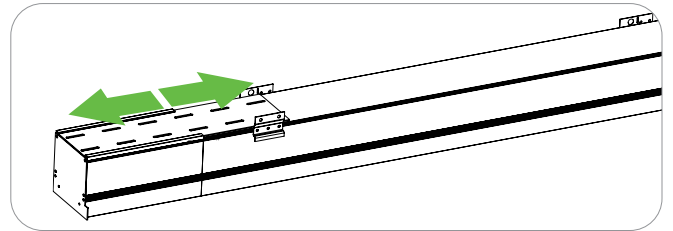
Limited 5-year warranty is available. Warranty is valid provided luminaires are installed and used according to specifications. For full terms and conditions, please consult warranty section at [axislighting.com](http://axislighting.com).

### 7" TELESCOPIC ADJUSTMENT

Beam 2 Square LED Perimeter features a patented telescopic sliding LED board design that allows runs to be field cut to facilitate installation and specification

**NOTE:** Miter saw with aluminum cutting blade required on site for telescopic adjustments. If a 2nd telescopic section is required, minimum length is 8'.

**EXAMPLE:** Telescopic adjustment 7" (+4"/-3"). If a 10' 6" (126") fixture is specified, adjustable lengths with (1) TS section are between 123"-130".

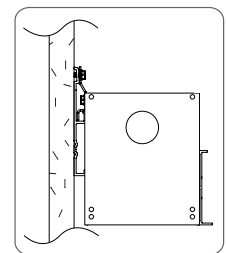


### END CAP

#### FLUSH END CAP



**ECFL END CAP FLUSH**

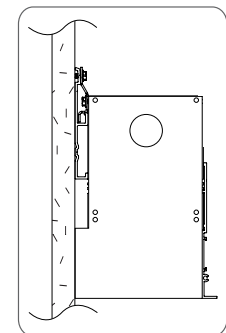


Side view

#### REGRESSED END CAP

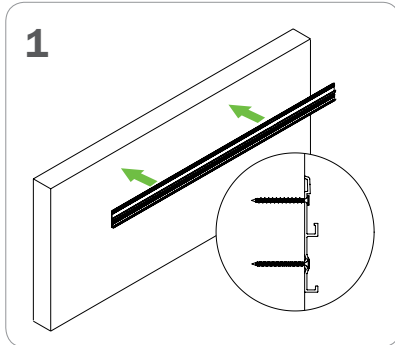


**ECR2 END CAP 2" REGRESSED**

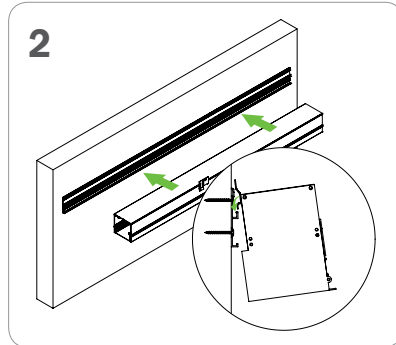


Side view

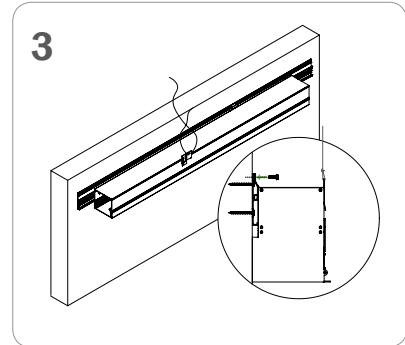
### ● INSTALLATION GUIDE



**1**  
Install wall track level and secure to structure at small grooves in extrusion.

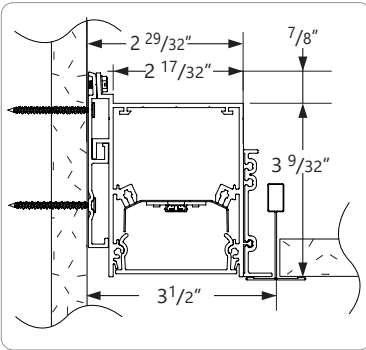


**2**  
Hook beam Perimeter luminaire onto wall track.

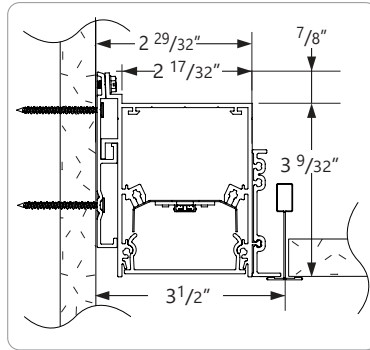


**3**  
Secure to wall track, secure to structure.

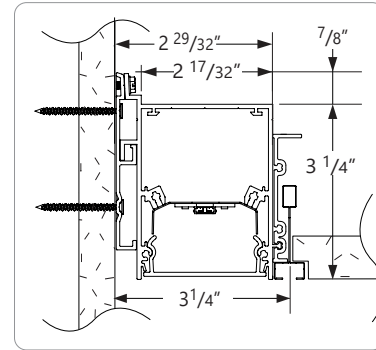
### ● TB CEILING MOUNTING OPTIONS



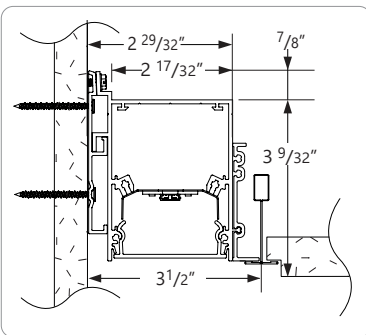
**TB15 15/16" T-BAR**



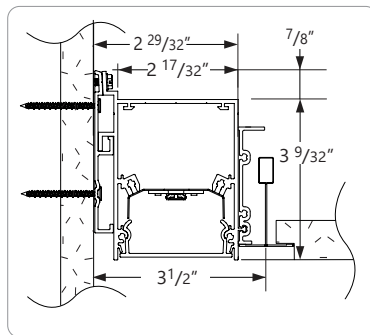
**TB9 9/16" T-BAR**



**ST SCREW SLOT T-BAR**

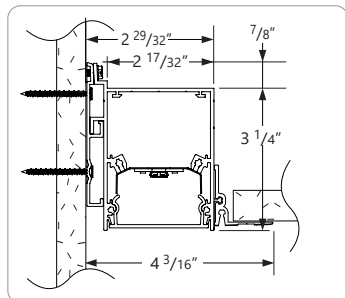


**TG9 9/16" T-TEGULAR**

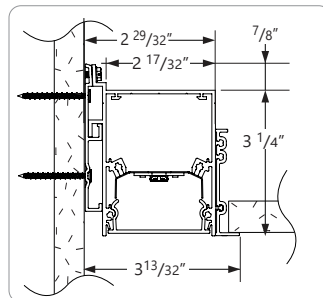


**TG15 15/16" T-TEGULAR**

### ● DRYWALL CEILING MOUNTING OPTIONS



**DS SPACKLE FLANGES**



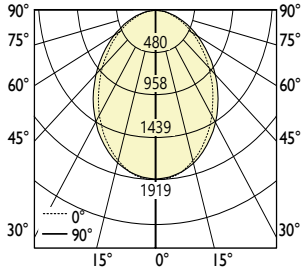
**DF VISIBLE FLANGES WALL MOUNTING**

### ● PHOTOMETRIC DATA

#### SO - Spotless lens

1100 lm/ft

#### PHOTOMETRIC CURVE



**Lumen/ft: 1100 lm/ft**  
**Total Lumens: 4401 lm (for 4ft)**  
**Input Watts: 65.41 W**  
**Efficacy: 67 lm/W**

IES FILE: B2SQxxLED-1100-90-CTRGBW30-SO-4.ies

TESTED ACCORDING TO IES LM-79-2008

#### CANDELA DISTRIBUTION

Vertical Angle	Horizontal Angles				
	0	22.5	45	67.5	90
0	1916	1916	1916	1916	1916
5	1905	1896	1893	1889	1885
15	1802	1783	1758	1740	1735
25	1608	1576	1537	1497	1483
35	1346	1309	1256	1205	1187
45	1052	1019	964	911	891
55	759	732	685	640	626
65	486	467	435	404	394
75	250	238	223	206	202
85	69	63	56	49	48
90	4	4	3	3	3

#### ZONAL LUMENS

Zone	Lumens
0	
0-10	180
10-20	502
20-30	722
30-40	808
40-50	769
50-60	638
60-70	453
70-80	253
80-90	76
90	

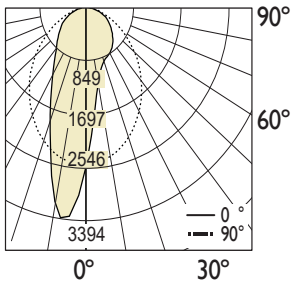
#### LUMINANCE DATA (cd/m<sup>2</sup>)

Vertical Angle	Horizontal Angles		
	0	45	90
45	20339	18626	17230
55	18086	16333	14909
65	15732	14062	12727
75	13187	11766	10651
85	10894	8816	7522

#### GZ Graze

750 lm/ft

#### PHOTOMETRIC CURVE



**Lumen/ft 1000 lm/ft**  
**Total Lumens: 4006 lm (for 4ft)**  
**Input Watts: 65.41 W**  
**Efficacy: 61 lm/W**

IES FILE: B2SQxxLED-1000-90-CTRGBW30-GZ-4.ies

TESTED ACCORDING TO IES LM-79-2008

#### CANDELA DISTRIBUTION

Vertical Angle	Horizontal Angles				
	0	22.5	45	67.5	90
0	2534	2534	2534	2534	2534
5	2484	2100	1835	1681	1651
15	2321	1446	1114	1010	991
25	2038	1060	879	866	873
35	1682	833	774	788	797
45	1294	667	648	653	663
55	892	507	493	512	535
65	511	333	333	367	392
75	219	168	175	201	216
85	38	34	37	39	38
90	2	2	2	2	2

#### ZONAL LUMENS

Zone	Lumens
0	
0-10	234
10-20	561
20-30	686
30-40	701
40-50	647
50-60	539
60-70	384
70-80	205
80-90	48
90	

#### LUMINANCE DATA (cd/m<sup>2</sup>)

Vertical Angle	Horizontal Angles		
	0	45	90
45	25201	12620	12916
55	21421	11840	12839
65	16648	10844	12779
75	11669	9287	11499
85	6043	5811	6045

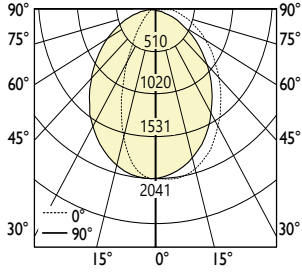
**i** All IES files are available for download at: [www.axislighting.com](http://www.axislighting.com)

### ● PHOTOMETRIC DATA

**SO-RG2 - Spotless 2" Reg. lens**  
**1000 lm/ft**



#### PHOTOMETRIC CURVE



**Lumen/ft: 1000 lm/ft**  
**Total Lumens: 4000 lm (for 4ft)**  
**Input Watts: 38.2 W**  
**Efficacy: 105 lm/W**

IES FILE: B2SQPRLED-1000-80-35-SO-RG2-4.IES

TESTED ACCORDING TO IES LM-79-2019

#### CANDELA DISTRIBUTION

Vertical Angle	Horizontal Angles				
	0	22.5	45	67.5	90
0	2015	2015	2015	2015	2015
5	1999	2002	2012	2025	2029
15	1883	1916	1971	1997	2007
25	1670	1744	1803	1817	1840
35	1380	1498	1549	1547	1563
45	1073	1215	1257	1260	1271
55	767	923	972	985	992
65	479	646	707	736	751
75	239	392	468	514	535
85	51	180	272	323	349
90	3	101	196	256	277

#### ZONAL LUMENS

Zone	Lumens
0	
0-10	188
10-20	507
20-30	682
30-40	706
40-50	631
50-60	511
60-70	381
70-80	253
80-90	142
90	

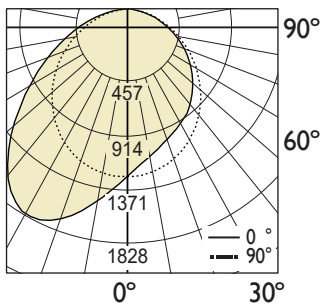
#### LUMINANCE DATA (cd/m<sup>2</sup>)

Vertical Angle	Horizontal Angles		
	0	45	90
45	22195	26019	26304
55	19558	24787	25300
65	16575	24482	26001
75	13503	26478	30266
85	8555	45730	58545

**RFA-FL - Room fill asymmetric lens Flush**  
**1000 lm/ft**



#### PHOTOMETRIC CURVE



**Lumen/ft: 1000 lm/ft**  
**Total Lumens: 3998 lm (for 4ft)**  
**Input Watts: 37.5 W**  
**Efficacy: 107 lm/W**

IES FILE: B2SQPRLED-1000-80-35-RFA-4.IES

TESTED ACCORDING TO IES LM-79-2019

#### CANDELA DISTRIBUTION

Vertical Angle	Horizontal Angles				
	0	22.5	45	67.5	90
0	1350	1350	1350	1350	1350
5	1344	1305	1279	1261	1257
15	1285	1193	1149	1125	1122
25	1174	1059	1021	1012	1015
35	1017	906	890	894	897
45	824	738	734	735	741
55	615	563	559	561	563
65	406	373	374	373	374
75	207	191	197	193	193
85	47	47	48	43	42
90	4	5	5	5	5

#### ZONAL LUMENS

Zone	Lumens
0	
0-10	129
10-20	384
20-30	606
30-40	739
40-50	741
50-60	633
60-70	454
70-80	247
80-90	66
90	

#### LUMINANCE DATA (cd/m<sup>2</sup>)

Vertical Angle	Horizontal Angles		
	0	45	90
45	14938	13297	13419
55	13741	12487	12580
65	12312	11337	11345
75	10227	9740	9546
85	6863	7053	6179

**i** All IES files are available for download at: [www.axislighting.com](http://www.axislighting.com)