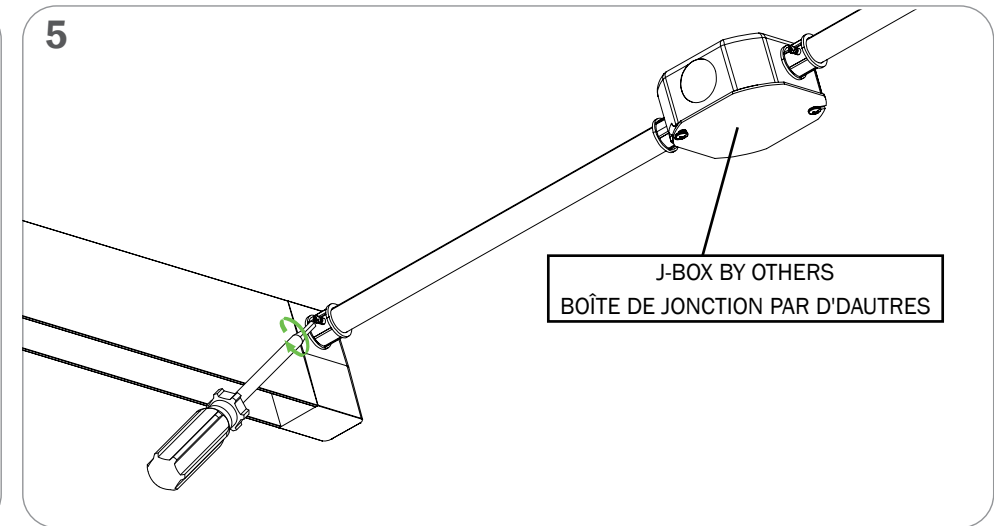
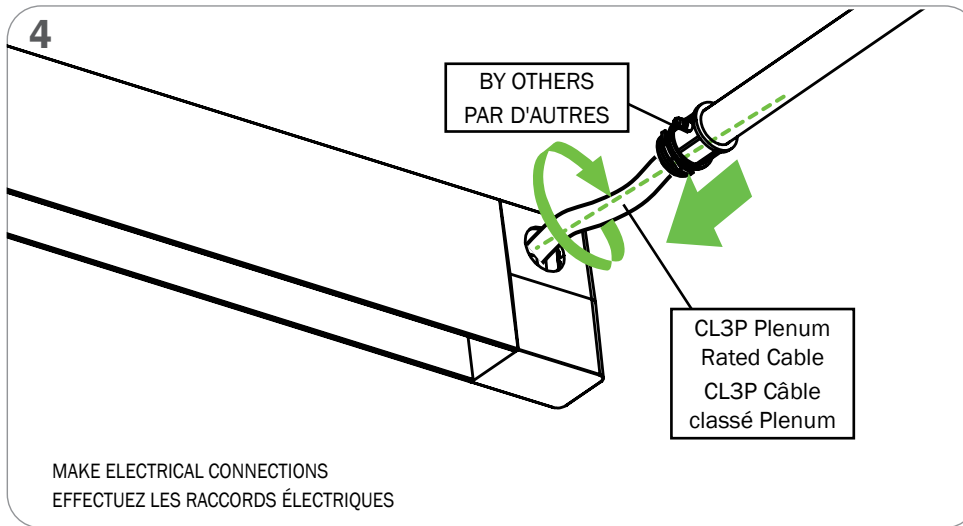
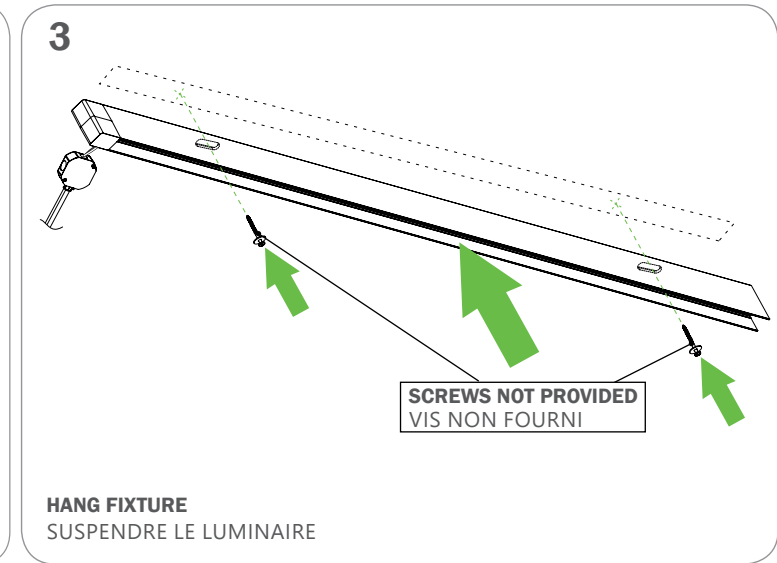
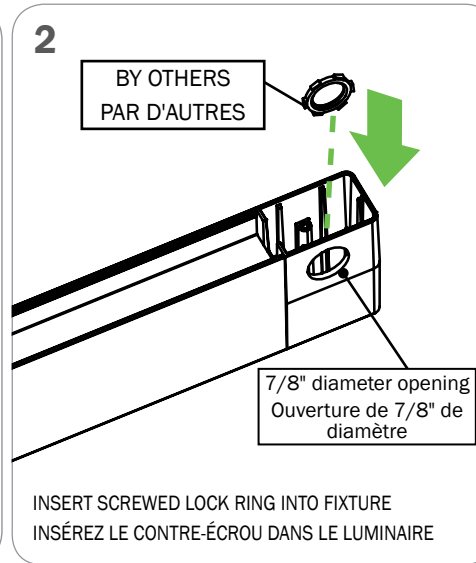
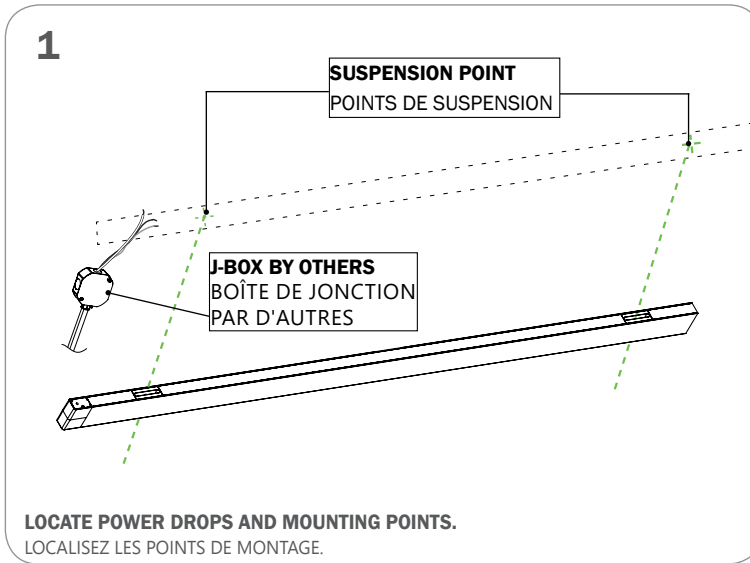


NOTE: ENSURE THAT THE POWER TO THE FIXTURE'S CIRCUIT IS TURNED OFF. | **NOTE:** VOUS ASSUREZ QUE L'ALIMENTATION DU CIRCUIT AU LUMINAIRE EST COUPÉE AU CIRCUIT.



NOTE: ENSURE THAT THE POWER TO THE FIXTURE'S CIRCUIT IS TURNED OFF. | **NOTE:** VOUS ASSUREZ QUE L'ALIMENTATION DU CIRCUIT AU LUMINAIRE EST COUPÉE AU CIRCUIT.

